

# DC 24V (CE & ROHS Compliant)

## LINEAR T8            1 or 2x18W, 17W, 15W

## LINEAR T12         1 or 2x20W

### Rapid Start

Rapid Start Series DC 24V Electronic ballast for one or two (1 or 2) T8 18W, 17W, 15W or T12 20W GE, Philips, or Osram Fluorescent lamps.

### Technical Specification:

UL Listed, CUL Certified, CE & ROHS Compliant  
 Thermal Protection: CLASS P  
 Rating: Type 1 Outdoor, HL  
 Min. Starting Temp : 0° C  
 Max. Case Temp: 75° C

Surge Protection: Meets ANSI C62.41  
 Lamp Current Crest Factor: < 1.7  
 Remote Mounting Distance: 10 ft  
 Sound Rating: Class A

Case Size: Series DC

Due to continuing efforts to offer improved products all specifications are subject to change without prior notice

3/11/09

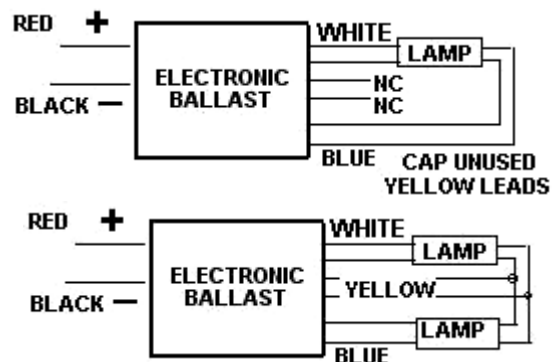
NO. OF LAMPS	INPUT VOLTAGE (DC)	LAMP WATTS	INPUT WATTS	MAX INPUT CURRENT (DCA)	BALLAST FACTOR	MODEL
2	24	18/17/15	35/33/29	1.46/1.38/1.21	1.0/1.02	SA24DC221RS-ROHS
1	24	18/17/15	22/20/18	0.92/0.83/0.75	1.0/1.02	"
2 or 1	24	20	35/22	1.46/0.92	1.0/1.02	"

#### 5 YEAR LIMITED WARRANTY

Manufacturer warrants to the purchaser: Electronic Ballast will be free from defects in material or workmanship from the date of manufacture conditioned upon proper storage, installation, use, and maintenance and conformance with any recommendations of Manufacturer.

#### Lead Length

Colour	inch	cm
Black	14	36
White	14	36
Blue	14	36
Red	14	36
Yellow	8.2	21



**WARNING: Always Disconnect Power Before Handling.**  
**Case Should be Grounded. Install in Accordance with National and Local Electrical Codes.**

Series DC	L	W	H	ML
Case Size:	147mm	47mm	34mm	133mm
	5.7inch	1.8inch	1.3inch	5.2inch