

LINEAR T8 1 or 2x32W

Programmed Start Parallel (Low Profile)

Programmed Start (Parallel) Universal Voltage 120V-277V High Frequency Electronic ballast for one or two (1 or 2) Linear T8 32W GE, Philips, or Osram Fluorescent lamps.

Technical Specification:

UL Listed, CUL Certified
 EMI FCC Parts 18, Subparts C, Class A
 Rating: Type 1 Outdoor
 Sound Rating: Class A
 Min. Starting Temp : - 18° C
 Max. Case Temp: 75° C
 End of Lamp Life Protection Circuit

Surge Protection: Meets ANSI C62.41
 Thermal Protection: CLASS P
 Lamp Current Crest Factor: < 1.6
 Remote Mounting Distance: 10 ft
 Power Factor: 0.99
 Input Frequency: 50/60HZ
 THD: < 10%

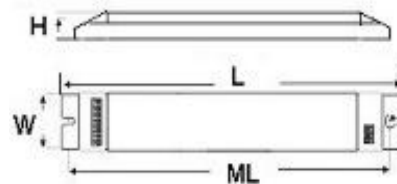
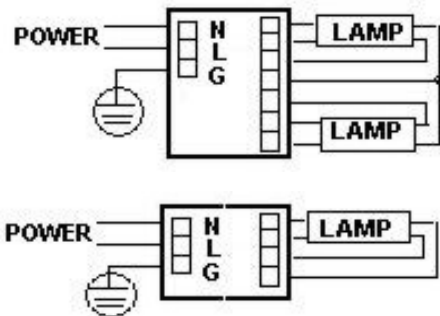
Case Size: Series JES

Due to continuing efforts to offer improved products all specifications are subject to change without prior notice 4/06/09

NO. OF LAMPS	INPUT VOLTAGE	LAMP WATTS	INPUT WATTS AVERAGE	MAX INPUT CURRENT (A)	BALLAST FACTOR	MODEL
1 or 2	120-277	32	36/72	0.30/0.60 0.13/0.26	>0.90	SU232T8J4

5 YEAR LIMITED WARRANTY

Manufacturer warrants to the purchaser: Electronic Ballast will be free from defects in material or workmanship from the date of manufacture conditioned upon proper storage, installation, use, and maintenance and conformance with any recommendations of Manufacturer.



WARNING: Always Disconnect Power Before Handling.
Case Should be Grounded. Install in Accordance
with National and Local Electrical Codes.

Case Size L W H ML
 Series JES 365mm 30mm 28mm 355mm

1500 Marine Drive, #200 North Vancouver, BC V7P 1T7
 TEL: 604-904-9533 FAX: 604-904-9634
 EMAIL: sagelighting@shaw.ca www.sagelighting.com

*Sage
 Lighting Ltd.*