

# T8 LINEAR 3 or 4x32W, 25W, 17W or 3x40W

Programmed Instant Start Parallel

Programmed Instant Start (Parallel) Universal Voltage 120V-277V, High Frequency Electronic ballast for three or four (3 or 4) T8 Linear 32W, 25W, 17W or three (3) 40W GE, Philips, or Osram Fluorescent lamps.

## Technical Specification:

UL Listed, CUL Certified, ROHS Compliant  
 EMI FCC Parts 18, Subparts C, Class A  
 Rating: Type 1 Outdoor, HL  
 Sound Rating: Class A  
 Min. Starting Temp: -18° C (0° C for 40W T8)  
 Max. Case Temp: 75° C  
 THD: 3-lamp < 15%  
 4-lamp < 20%

Surge Protection: Meets ANSI C62.41  
 Thermal Protection: CLASS P  
 Lamp Current Crest Factor: < 1.6  
 Remote Mounting Distance: 21 ft  
 Power Factor: 0.99  
 Input Frequency: 50/60HZ

Case Size: Series MU

Due to continuing efforts to offer improved products all specifications are subject to change without prior notice

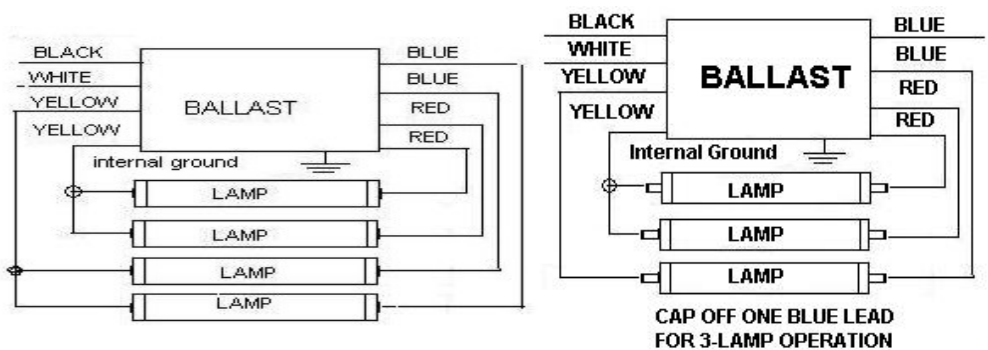
5/11/09

NO. OF LAMPS	INPUT VOLTAGE	LAMP WATTS	INPUT WATTS	MAX INPUT CURRENT (A)	BALLAST FACTOR	MODEL
3	120V	40/32/25/17	107/89/67/49	0.89/0.74/0.56/0.42	>0.91	SAU440IS-ROHS
4	120V	32/25/17	107/81/57	0.88/0.67/0.48	>0.88	"
3	277V	40/32/25/17	107/89/67/49	0.40/0.33/0.27/0.21	>0.91	"
4	277V	32/25/17	107/81/57	0.39/0.30/0.24	>0.88	"

### LIMITED WARRANTY

5 YEAR at maximum case temperature 75 deg C. Manufacturer warrants to the purchaser: Electronic Ballast will be free from defects in material or workmanship from the date of manufacture conditioned upon proper storage, installation, use, and maintenance and conformance with any recommendations of Manufacturer

Colour	inch	cm
Black	18.8	48
White	18.8	48
Blue	30.9	78.5
Red	30.9	78.5
Yellow	46.4	118



**WARNING: Always Disconnect Power Before Handling.**  
 Case Should be Grounded. Install in Accordance  
 with National and Local Electrical Codes.

Series MU, MS    L    W    H    ML  
 Case Size:    241mm 43.8mm 29.5mm 226mm  
                   9.5inch 1.72inch 1.16inch 8.9inch

1500 Marine Drive, #200 North Vancouver, BC V7P 1T7  
 TEL: 604-904-9533 FAX: 604-904-9634  
 EMAIL: sagelighting@shaw.ca    www.sagelighting.com

*Sage  
Lighting Ltd.*