

LINEAR T5 1 or 2x35W, 28W, 21W

Programmed Start (Parallel Low Profile)

Programmed Start (Parallel) 100-240V High Frequency Electronic ballast for Linear Standard T5 one or two (1 or 2) 35W, 28W, 21W GE, Philips, or Osram Fluorescent lamps.

Technical Specification:

UL Listed, CUL Certified
 EMI FCC Parts 18, Subparts C, Class A
 Lamp Current Crest Factor: < 1.6
 Sound Rating: Class A
 Min. Starting Temp : - 18° C
 Max. Case Temp: 75° C
 End of Lamp Life Protection Circuit

Surge Protection: Meets ANSI C62.41
 Thermal Protection: CLASS P
 Power Factor: 0.99
 Remote Mounting Distance: 10 ft
 Input Frequency: 50/60HZ
 THD: < 10%

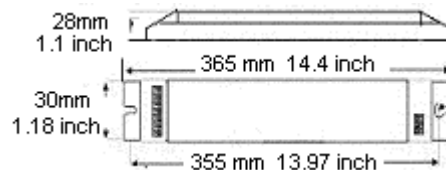
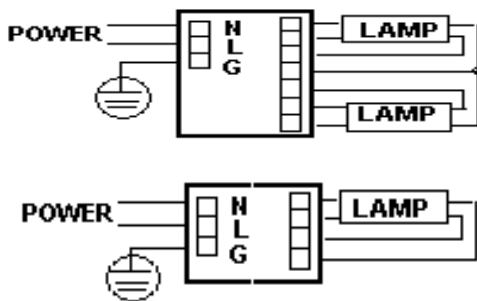
Case Size: Series JES

Due to continuing efforts to offer improved products all specifications are subject to change without prior notice

NO. OF LAMPS	INPUT VOLTAGE	LAMP WATTS	INPUT WATTS AVERAGE	MAX INPUT CURRENT (A)	BALLAST FACTOR	MODEL
2	120V	35/28/21	80/68/48	0.66/0.56/0.40	1.0	SU235T5Q1
2	240V	35/28/21	80/68/48	0.33/0.28/0.20	1.0	"
2	277V	35/28/21	80/68/48	0.28/0.25/0.17	1.0	"

5 YEAR LIMITED WARRANTY

Manufacturer warrants to the purchaser: Electronic Ballast will be free from defects in material or workmanship from the date of manufacture conditioned upon proper storage, installation, use, and maintenance and conformance with any recommendations of Manufacturer.



WARNING: Always Disconnect Power Before Handling.
 Case Should be Grounded. Install in Accordance with National and Local Electrical Codes.

Case Size	L	W	H	ML
Series JES	365mm	30mm	28mm	355mm
	14.4inch	1.18inch	1.1inch	13.97inch