

# LINEAR T8 1 or 2x70W, 58W

For One and Two Lamps  
(Low Profile Parallel)

Programmed Parallel Start High Frequency 120V (CC rated) Electronic ballast for one or two (1) or (2) Linear Standard T8 70W or 58W GE, Philips, or Osram Fluorescent lamps

## Technical Specification:

UL Listed, CUL Certified  
End of Lamp Life Protection Circuit  
Lamp Current Crest Factor: < 1.7  
Sound Rating: Class A  
Min. Starting Temp : - 25° C  
Max. Case Temp: 70° C  
THD: < 17%

Surge Protection: Meets ANSI C62.41  
EMIFCC Parts 18, Subparts C, Class A  
Thermal Protection: CLASS P  
Power Factor: 0.99  
Remote Mounting Distance: 10 ft  
Input Frequency: 50/60HZ  
CC Rated

Case Size: Series H1

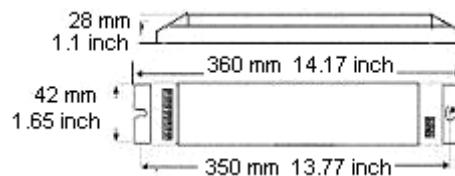
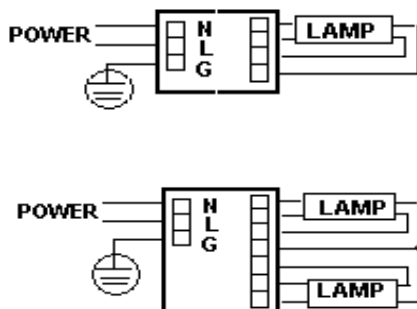
Due to continuing efforts to offer improved products all specifications are subject to change without prior notice

1/07/07

NO. OF LAMPS	INPUT VOLTAGE	LAMP WATTS	INPUT WATTS AVERAGE	MAX INPUT CURRENT (A)	BALLAST FACTOR	MODEL
1	120	70/58	70/58	0.58/0.53	0.90	SO270T8H1
2	120	70/58	140/116	1.3/01.06	0.90	"

### 3 YEAR LIMITED WARRANTY

Manufacturer warrants to the purchaser: Electronic Ballast will be free from defects in material or workmanship from the date of manufacture conditioned upon proper storage, installation, use, and maintenance and conformance with any recommendations of Manufacturer.



**WARNING: Always Disconnect Power Before Handling.**  
Case Should be Grounded. Install in Accordance with National and Local Electrical Codes.

Case Size	L	W	H	ML
Series H1	360mm	42mm	28mm	350mm
	14.17inch	1.65inch	1.1inch	13.77inch

1500 Marine Drive, #200 North Vancouver, BC V7P 1T7  
TEL: 604-904-9533 FAX: 604-904-9634  
EMAIL: sagelighting@shaw.ca www.sagelighting.com

*Sage  
Lighting Ltd.*