

# COMPACT 1 or 2x18W, 13W & 1x32W 2D 1x28W

Programmed Start

Programmed Start (Series) Universal Voltage 120V-277V High Frequency Electronic ballast for one or two (1 or 2) 18W, 13W or one (1) 32W PL-C or one (1) 2D 28W Fluorescent lamps GE, Philips, or Osram Fluorescent lamps.

## Technical Specification:

UL Listed, CUL Certified, ROHS Compliant  
EMI FCC Parts 18, Subparts C, Class A  
Rating: Type 1 Outdoor, HL  
Sound Rating: Class A  
Min. Starting Temp: -30° C  
Max. Case Temp: 90° C  
End of Lamp Life Protection Circuit

Surge Protection:  
Thermal Protection:  
Lamp Current Crest Factor:  
Remote Mounting Distance:  
Power Factor:  
Input Frequency:  
THD:

Meets ANSI C62.41  
CLASS P  
< 1.6  
21 ft  
0.99  
50/60HZ  
< 10%

For Bottom leads Specify "B" at the end of Model #

Case Size: Series C1U

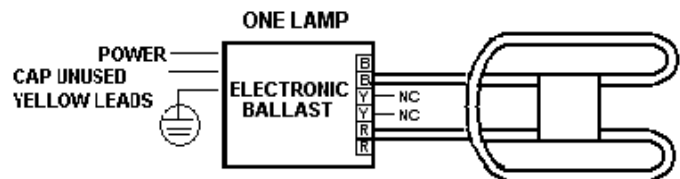
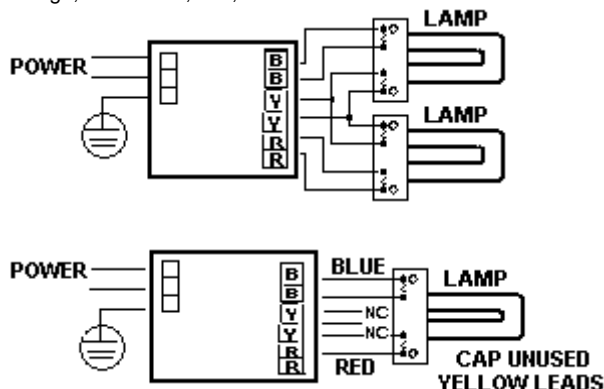
Due to continuing efforts to offer improved products all specifications are subject to change without prior notice

7/3/07

NO. OF LAMPS	INPUT VOLTAGE	LAMP WATTS	INPUT WATTS AVERAGE	MAX INPUT CURRENT (A)	BALLAST FACTOR	MODEL
2	120V	18/13	39/31	0.32/0.25	0.90/0.96	NCU218-ROHS
2	277V	18/13	39/31	0.14/0.10	0.90/0.96	"
1	120V	32/18/13/28	28/20/17/30	0.23/0.16/0.14/0.25	0.88/0.96/1.06/0.95	"
1	277V	32/18/13/28	28/20/17/30	0.40/0.05/0.04/0.11	0.88/0.96/1.06/0.95	"

### LIMITED WARRANTY

5 YEAR at maximum case temperature 75 deg C. 3 YEAR at maximum case temperature 90 deg C. Manufacturer warrants to the purchaser: Electronic Ballast will be free from defects in material or workmanship from the date of manufacture conditioned upon proper storage, installation, use, and maintenance and conformance with any recommendations of Manufacturer.



Series C1U L W H ML  
Case Size: 132mm 62mm 30mm 122mm  
5.2inch 2.5inch 1.18inch 4.8inch

**WARNING: Always Disconnect Power Before Handling.  
Case Should be Grounded. Install in Accordance  
with National and Local Electrical Codes.**

1500 Marine Drive, #200 North Vancouver, BC V7P 1T7  
TEL: 604-904-9533 FAX: 604-904-9634  
EMAIL: sagelighting@shaw.ca www.sagelighting.com

*Sage  
Lighting Ltd.*