

# LINEAR HO T5 1 or 2x54W BIAX TT5 1 or 2x55W

Programmed Start Parallel (Low Profile)

Programmed Start (Parallel) High Frequency 100V-120V, 200V-240V and 120V-277V Electronic ballast for one or two (1 or 2) Linear HO T5 54W or 55W BiAx GE, Philips, or Osram Fluorescent lamps.

## Technical Specification:

UL Listed, CUL Certified  
EMI FCC Parts 18, Subparts C, Class A  
Rating: Type 1 Outdoor  
Sound Rating: Class A  
Min. Starting Temp : -10° C  
Max. Case Temp: 75° C  
End of Lamp Life Protection Circuit

Surge Protection: Meets ANSI C62.41  
Thermal Protection: CLASS P  
Lamp Current Crest Factor: < 1.6  
Remote Mounting Distance: 10 ft  
Power Factor: 0.99  
Input Frequency: 50/60HZ  
THD: < 10%

Case Size: Series JES

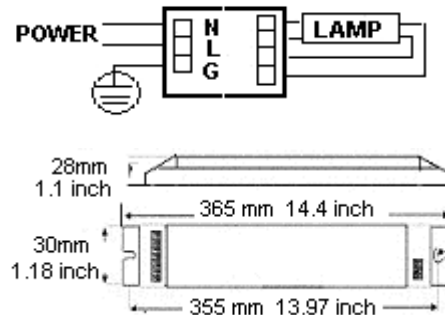
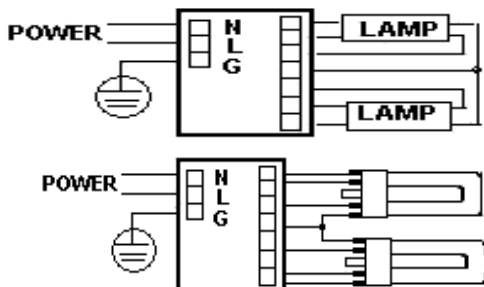
Due to continuing efforts to offer improved products all specifications are subject to change without prior notice

4/07/07

NO. OF LAMPS	INPUT VOLTAGE	LAMP WATTS	INPUT WATTS AVERAGE	MAX INPUT CURRENT (A)	BALLAST FACTOR	MODEL
2 & 1	100	54	113/58	1.10/0.58	1.0	SO254T5Q1
2 & 1	120	54	113/58	0.94/0.48	1.0	SO254T5Q1
2 & 1	240	54	113/58	0.47/0.24	1.0	SE254T5Q1
2 & 1	120	54	113/58	0.94/0.48	1.0	SU255T5Q1
2 & 1	277	54/55	113/110 58/56	0.41/0.40 0.21/.20	1.0	"

### 5 YEAR LIMITED WARRANTY

Manufacturer warrants to the purchaser: Electronic Ballast will be free from defects in material or workmanship from the date of manufacture conditioned upon proper storage, installation, use, and maintenance and conformance with any recommendations of Manufacturer.



**WARNING: Always Disconnect Power Before Handling.**  
Case Should be Grounded. Install in Accordance with National and Local Electrical Codes.

Case Size	L	W	H	ML
Series JES	365mm	30mm	28mm	355mm
	14.4inch	1.18inch	1.1inch	13.97inch

1500 Marine Drive, #200 North Vancouver, BC V7P 1T7  
TEL: 604-904-9533 FAX: 604-904-9634  
EMAIL: sagelighting@shaw.ca www.sagelighting.com

*Sage  
Lighting Ltd.*