

BIAX (TT5) 1 or 2x55W, 50W LINEAR HO T5 1 or 2x54W or 2x39W

Programmed Start European Voltage (Low Profile)

Programmed Start (Series) Universal Voltage 220V-240V High Frequency Electronic ballast for one or two (1 or 2) Bixax (TT5) 55W, 50W, HO T5 54W or two (2) 39W Linear GE, Philips, or Osram Fluorescent lamps.

Technical Specification:

CE approved	Surge Protection:	Meets ANSI C62.41
EMI FCC Parts 18, Subparts C, Class A	Thermal Protection:	CLASS P
Rating: Type 1 Outdoor, HL	Lamp Current Crest Factor:	< 1.6
Sound Rating: Class A	Remote Mounting Distance:	21 ft
Min. Starting Temp: -20° C	Power Factor:	0.99
Max. Case Temp: 90° C	Input Frequency:	50/60HZ
End of Lamp Life Protection Circuit		

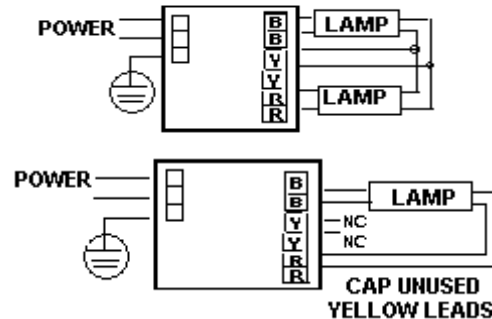
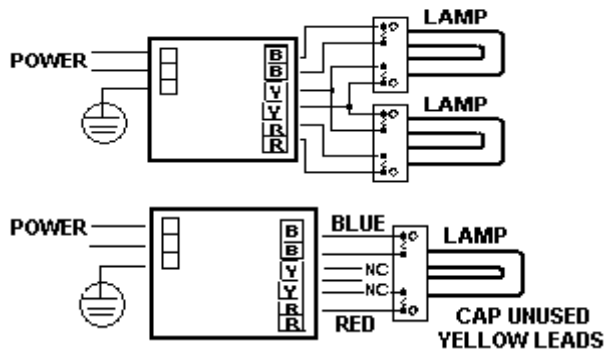
Case Size: Series E2

Due to continuing efforts to offer improved products all specifications are subject to change without prior notice 5/07/07

NO. OF LAMPS	INPUT VOLTAGE	LAMP WATTS	INPUT WATTS AVERAGE	MAX INPUT CURRENT (A)	THD (%)	BALLAST FACTOR	MODEL
2	220V	54/55/50	118/105/110	0.53/0.47/0.49	<10	>0.90	NE255T5
2	230V	54/55/50	118/105/110	0.51/0.45/0.47	<10	>0.90	"
2	240V	54/55/50	118/105/110	0.49/0.43/0.45	<10	>0.90	"
1	220V	54/55/50	60/56/57	0.27/0.25/0.25	<10	>0.95	"
1	230V	54/55/50	60/56/57	0.26/0.24/0.23	<10	>0.95	"
1	240V	54/55/50	60/56/57	0.25/0.23/0.23	<10	>0.95	"

LIMITED WARRANTY

5 YEAR at maximum case temperature 75 deg C. 3 YEAR at maximum case temperature 90 deg C. Manufacturer warrants to the purchaser: Electronic Ballast will be free from defects in material or workmanship from the date of manufacture conditioned upon proper storage, installation, use, and maintenance and conformance with any recommendations of Manufacturer.



WARNING: Always Disconnect Power Before Handling.
Case Should be Grounded. Install in Accordance with National and Local Electrical Codes.

Case Size: Voltage L W H ML
Series E2 220-240V 314 mm 34 mm 29 mm 300 mm
12.36inch 1.34inch 1.14inch 11.81inch

500 Marine Drive, #200 North Vancouver, BC V7P 1T7
TEL: 604-904-9533 FAX: 604-904-9634
EMAIL: sagelighting@shaw.ca www.sagelighting.com

*Sage
Lighting Ltd.*