

BIAX (TT5) 1 or 2x55W, 50W LINEAR HO T5 1 or 2x54W or 2x39W

Programmed Start (347V - 480V High Case Temperature) Preliminary Spec

Programmed Start (Series) Universal Voltage 347V - 480V, High Frequency Electronic ballast for one or two (1 or 2) Bixax (TT5) 55W, 50W, Linear HO T5 54W, Cicline FC12T5 55W, or two (2) Linear HO T5 39W GE, Philips, Osram Fluorescent lamps.

Technical Specification:

ROHS Compliant
EMI FCC Parts 18, Subparts C, Class A
Rating: Type 1 Outdoor, HL
Sound Rating: Class A
Min. Starting Temp : - 30° C
Max. Case Temp: 90° C
End of Lamp Life Protection Circuit

Surge Protection: Meets ANSI C62.41
Thermal Protection: CLASS P
Lamp Current Crest Factor: < 1.6
Remote Mounting Distance: 21 ft
Power Factor: 0.99
Input Frequency: 50/60HZ

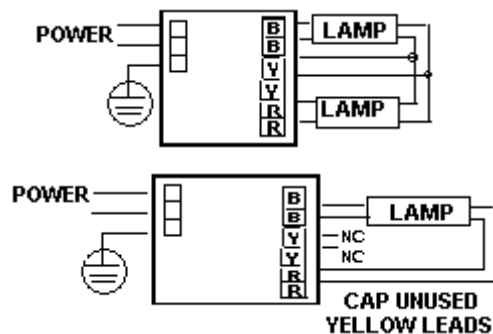
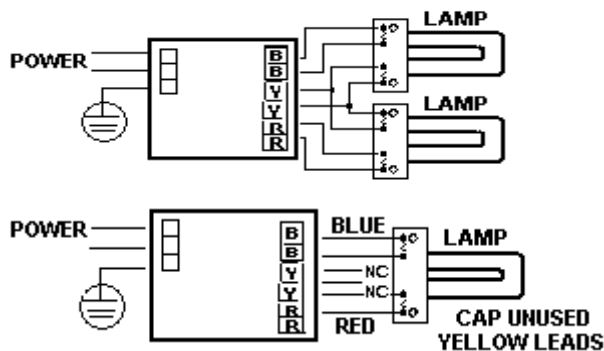
Case Size: Series E9

Due to continuing efforts to offer improved products all specifications are subject to change without prior notice

NO. OF LAMPS	INPUT VOLTAGE	LAMP WATTS	INPUT WATTS AVERAGE	MAX INPUT CURRENT (A)	THD %	BALLAST FACTOR	MODEL
2	347V	54/55/50/39	120/107/112/92	0.35/0.31/0.32/0.27	10/15/15/20	1/9/1.04/1	NC-F254T5-ROHS
1	347V	54/55/50	70/64/68	0.20/0.18/0.20	20/20/20	1.08/9/1.06	"
2	480V	54/55/50/39	120/107/112/92	0.26/0.22/0.23/0.19	10/15/15/20	1/9/1.04/1	"
1	480V	54/55/50	70/64/68	0.15/0.13/0.16	20/20/50	1.08/9/1.06	"

LIMITED WARRANTY

5 YEAR at maximum case temperature 75 deg C. 3 YEAR at maximum case temperature 90 deg C. Manufacturer warrants to the purchaser: Electronic Ballast will be free from defects in material or workmanship from the date of manufacture conditioned upon proper storage, installation, use, and maintenance and conformance with any recommendations of Manufacturer.



WARNING: Always Disconnect Power Before Handling.
Case Should be Grounded. Install in Accordance
with National and Local Electrical Codes.

Series E9 L W H ML
Case Size: 395mm 38mm 29 mm 387mm
15.5inch 1.5inch 1.14inch 15.2inch

1500 Marine Drive, #200 North Vancouver, BC V7P 1T7
TEL: 604-904-9533 FAX: 604-904-9634
EMAIL: sagelighting@shaw.ca www.sagelighting.com

*Sage
Lighting Ltd.*