

BIAX (TT5) 1 or 2x27W, 24W, 18W

Programmed Start

Programmed Start (Series) Universal Voltage 120V-277V or 347V, High Frequency Electronic ballast for one or two (1 or 2) Biax (TT5) 27W, 24W, 18W Philips, GE or Osram Fluorescent lamps.

Technical Specification:

UL Listed, CUL Certified, ROHS Compliant
 EMI FCC Parts 18, Subparts C, Class A
 Rating: Type 1 Outdoor, HL
 Sound Rating: Class A
 Min. Starting Temp: -30° C
 Max. Case Temp: 90° C
 End of Lamp Life Protection Circuit

Surge Protection:
 Thermal Protection:
 Lamp Current Crest Factor: < 1.6
 Remote Mounting Distance: 21 ft
 Power Factor: 0.99
 Input Frequency: 50/60HZ
 THD: < 10%

Meets ANSI C62.41
 CLASS P

For Bottom leads Specify "B" at the end of Model #

Case Size: Series MU, MS

Due to continuing efforts to offer improved products all specifications are subject to change without prior notice

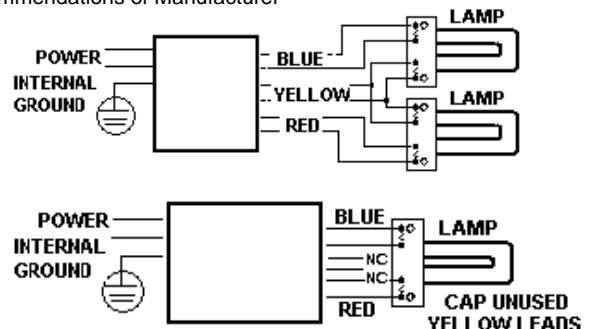
6/10/09

NO. OF LAMPS	INPUT VOLTAGE	LAMP WATTS	INPUT WATTS AVERAGE	MAX INPUT CURRENT (A)	BALLAST FACTOR	MODEL
2	120V	24/18	52/39	0.42/0.33	0.90/0.94	NXU224RS-ROHS
2	277V	24/18	52/39	0.18/0.14	0.90/0.94	"
2	347V	24/18	52/39	0.15/0.11	0.90/0.94	NXC224RS
1	120V	24/18	28/21	0.22/0.15	0.93/0.97	NXU224RS-ROHS
1	277V	24/18	28/21	0.10/0.07	0.93/0.97	"
1	347V	24/18	28/21	0.08/0.06	0.93/0.97	NXC224RS

LIMITED WARRANTY

5 YEAR at maximum case temperature 75 deg C. 3 YEAR at maximum case temperature 90 deg C. Manufacturer warrants to the purchaser: Electronic Ballast will be free from defects in material or workmanship from the date of manufacture conditioned upon proper storage, installation, use, and maintenance and conformance with any recommendations of Manufacturer

Colour	inch	cm
Black	18.8	48
White	18.8	48
Blue	30.9	78.5
Red	30.9	78.5
Yellow	46.4	118



WARNING: Always Disconnect Power Before Handling.
 Case Should be Grounded. Install in Accordance with National and Local Electrical Codes.

Series MU, MS L W H ML
 Case Size: 241mm 43.8mm 29.5mm 226mm
 9.5inch 1.72inch 1.16inch 8.9inch

1500 Marine Drive, #200 North Vancouver, BC V7P 1T7
 TEL: 604-904-9533 FAX: 604-904-9634
 EMAIL: sagelighting@shaw.ca www.sagelighting.com

*Sage
 Lighting Ltd.*