

# AC 12V

**BIAx (TT5)**

**1x40W, 39W, 36W, 27W, 24W**

**COMPACT**

**1x32W, 26W**

**CIRCLINE T5**

**1x40W, 32W, 22W**

**LINEAR T5, HOT5**

**1x35W, 28W, 21W, 39W, 24W**

**Rapid Start**

Rapid Start Series C 12V Electronic ballast for one (1) Biax (TT5) 40W, 39W, 36W, 27W, 24W or Compact 32W, 26W or T8 40W, 32W, 25W, 2D 38W, 28W, 21W, Circline T5 40W, 32W, 22W, T12 40W, T5 or HO T5 35W, 28W, 21W, 39W, 24W GE, Philips, or Osram Fluorescent lamps.

## Technical Specification:

Surge Protection: Meets ANSI C62.41  
 Rating: Type 1 Outdoor  
 Min. Starting Temp: 0° C  
 Max. Case Temp: 75° C

Thermal Protection: CLASS P  
 Lamp Current Crest Factor: < 1.7  
 Remote Mounting Distance: 10 ft  
 Sound Rating: Class A

**Case Size: Series MS**

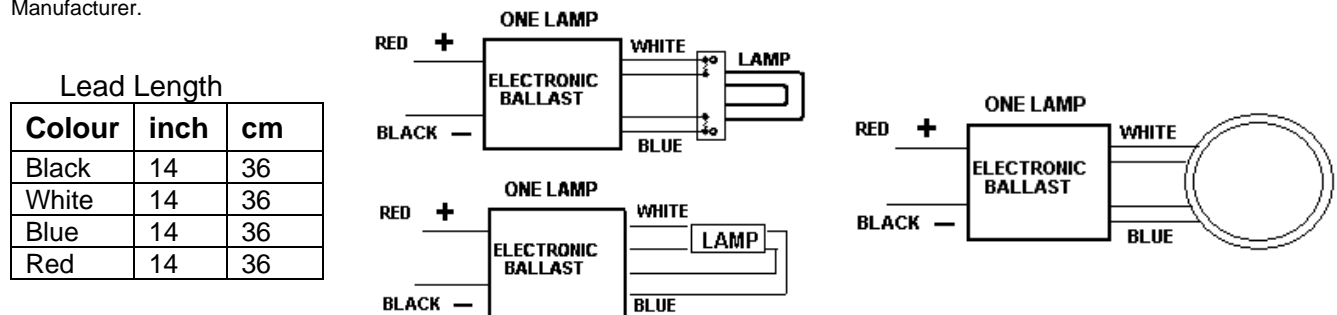
Due to continuing efforts to offer improved products all specifications are subject to change without prior notice

2/09/07

NO. OF LAMPS	INPUT VOLTAGE (AC)	LAMP WATTS	INPUT WATTS	MAX INPUT CURRENT (Amps)	MODEL
1	12	40/39/36/24	35/30/28/23	3.5/2.9/2.8/2.3	SA12AC140RS
1	12	32/26	28/24	2.80/2.4	"
1	12	40/32/25	40/34/26	3.9/3.3/2.7	"
1	12	39/24/35/28/21	32/23/34/035/29	3.2/2.3/4.1/3.6/2.9	"
1	12	40/32/22	30/24/18	3.0/2.4/1.8	"

### 5 YEAR LIMITED WARRANTY

Manufacturer warrants to the purchaser: Electronic Ballast will be free from defects in material or workmanship from the date of manufacture conditioned upon proper storage, installation, use, and maintenance and conformance with any recommendations of Manufacturer.



**WARNING: Always Disconnect Power Before Handling.**  
 Case Should be Grounded. Install in Accordance  
 with National and Local Electrical Codes.

Series MU, MS L W H ML  
 Case Size: 241mm 43mm 29mm 226mm  
 9.5inch 1.69inch 1.14inch 8.9inch

1500 Marine Drive, #200 North Vancouver, BC V7P 1T7  
 TEL: 604-904-9533 FAX: 604-904-9634  
 EMAIL: sagelighting@shaw.ca www.sagelighting.com

*Sage  
 Lighting Ltd.*