

# 2D Fluorescent Ballast Index Page

Click on Model Number for Detailed Specification Sheet

Model Number	Number of Lamps	Input Voltage	Lamp Wattage	Starting	Other info
<b>SCU218</b>	<b>1</b>	<b>120 TO 277</b>	<b>28</b>	<b>Program</b>	
<b>SC0218RS</b>	<b>1</b>	<b>120</b>	<b>38</b>	<b>rapid</b>	<b>series</b>
<b>SC0218RS</b>	<b>2</b>	<b>120</b>	<b>16</b>	<b>rapid</b>	<b>series</b>
<b>SCT218RS</b>	<b>1</b>	<b>277</b>	<b>38</b>	<b>rapid</b>	
<b>SCT218RS</b>	<b>2</b>	<b>277</b>	<b>16</b>	<b>rapid</b>	<b>series</b>
<b>SCC218RS</b>	<b>1</b>	<b>347</b>	<b>38</b>	<b>rapid</b>	
<b>SCC218RS</b>	<b>2</b>	<b>347</b>	<b>16</b>	<b>rapid</b>	<b>series</b>
<b>SC0232CL</b>	<b>2 or 1</b>	<b>120</b>	<b>28</b>	<b>rapid</b>	<b>series</b>
<b>SCT232CL</b>	<b>2 or 1</b>	<b>277</b>	<b>28</b>	<b>rapid</b>	<b>series</b>
<b>SCC232CL</b>	<b>2 or 1</b>	<b>347</b>	<b>28</b>	<b>rapid</b>	<b>series</b>
<b>SC0232CL</b>	<b>1</b>	<b>120</b>	<b>55</b>	<b>rapid</b>	
<b>SCT232CL</b>	<b>1</b>	<b>277</b>	<b>55</b>	<b>rapid</b>	
<b>SCC232CL</b>	<b>1</b>	<b>347</b>	<b>55</b>	<b>rapid</b>	
<b>S01162D</b>	<b>1</b>	<b>120</b>	<b>16</b>	<b>rapid</b>	
<b>ST1162D</b>	<b>1</b>	<b>277</b>	<b>16</b>	<b>rapid</b>	
<b>S01212D</b>	<b>1</b>	<b>120</b>	<b>21</b>	<b>rapid</b>	
<b>ST1212D</b>	<b>1</b>	<b>277</b>	<b>21</b>	<b>rapid</b>	
<b>S01282D</b>	<b>1</b>	<b>120</b>	<b>28</b>	<b>rapid</b>	
<b>ST1282D</b>	<b>1</b>	<b>277</b>	<b>28</b>	<b>rapid</b>	
<b>S01382D</b>	<b>1</b>	<b>120</b>	<b>38</b>	<b>rapid</b>	
<b>ST1382D</b>	<b>1</b>	<b>277</b>	<b>38</b>	<b>rapid</b>	
<b>S01552D</b>	<b>1</b>	<b>120</b>	<b>55</b>	<b>rapid</b>	
<b>ST1552D</b>	<b>1</b>	<b>277</b>	<b>55</b>	<b>rapid</b>	

Due to continuing efforts to offer improved products all specifications are subject to change without prior notice

1500 Marine Drive, #200 North Vancouver, BC V7P 1T7  
 TEL: 604-904-9533 FAX: 604-904-9634

*Sage  
Lighting Ltd.*

# COMPACT 1 or 2x18W, 13W 2D 1x28W

Programmed Start

Programmed Start (Series) Universal Voltage 120V-277V High Frequency Electronic ballast for one or two (1 or 2) 18W, 13W Compact Fluorescent lamps.

## Technical Specification:

CSA, UL Listed, CUL Certified  
EMI FCC Parts 18, Subparts C, Class A  
Rating: Type 1 Outdoor  
Sound Rating: Class A  
Min. Starting Temp : - 18° C  
Max. Case Temp: 75° C  
End of Lamp Life Protection Circuit

Surge Protection: Meets ANSI C62.41  
Thermal Protection: CLASS P  
Lamp Current Crest Factor: < 1.6  
Remote Mounting Distance: 21 ft  
Power Factor: 0.99  
Input Frequency: 50/60HZ  
THD: < 10%

For Bottom leads Specify "B" at the end of Model #

**Case Size: Series C1U**

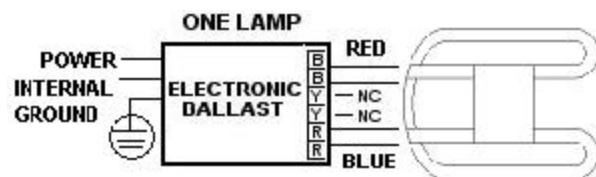
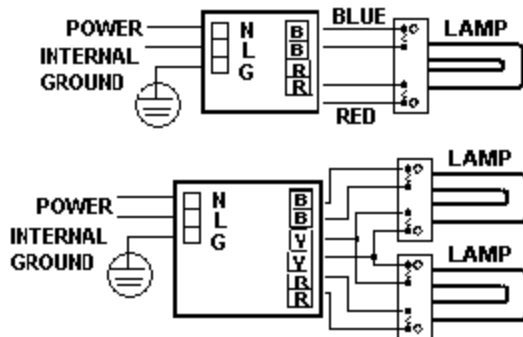
Due to continuing efforts to offer improved products all specifications are subject to change without prior notice

1/10/02

NO. OF LAMPS	INPUT VOLTAGE	LAMP WATTS	INPUT WATTS AVERAGE	MAX INPUT CURRENT (A)	BALLAST FACTOR	MODEL
2	120V	18/13	39/31	0.32/0.25	0.90/0.96	SCU218
2	277V	18/13	39/31	0.14/0.10	0.90/0.96	"
1	120V	18/13	20/17	0.16/0.14	0.96/1.06	"
1	277V	18/13	20/17	0.05/0.04	0.96/1.06	"

### 5 YEAR LIMITED WARRANTY

Manufacturer warrants to the purchaser: Electronic Ballast will be free from defects in material or workmanship from the date of manufacture conditioned upon proper storage, installation, use, and maintenance and conformance with any recommendations of Manufacturer.



Warning: Always Disconnect Power before Handling.  
Case Should be Grounded. Install in accordance with National and Local Electrical Codes.

Series C1U L W H ML  
Case Size: 132mm 62mm 30mm 122mm

1500 Marine Drive, #200 North Vancouver, BC V7P 1T7  
TEL: 604-904-9533 FAX: 604-904-9634  
www.sagelighting.com

*Sage  
Lighting Ltd.*

# COMPACT 1, 2 x 18W CIRCLINE T5 2X22W, 1X40W 2D 2x16W, 1x38W

Rapid Start

Rapid Start (Series) High Frequency Electronic ballast for Compact Fluorescent 18W Philips, GE or Osram lamps.

## Technical Specification:

CSA, UL Listed, CUL Certified  
EMI FCC Parts 18, Subparts C, Class A  
Rating: Type 1 Outdoor  
Sound Rating: Class A  
Min. Starting Temp: -18° C  
Max. Case Temp: 75° C  
THD: < 15%

Surge Protection: Meets ANSI C62.41  
Thermal Protection: CLASS P  
Lamp Current Crest Factor: < 1.6  
Remote Mounting Distance: 21 ft  
Power Factor: 0.99  
Input Frequency: 50/60HZ

For Bottom leads Specify "B" at the end of Model #

Case Size: Series C1S

Due to continuing efforts to offer improved products all specifications are subject to change without prior notice

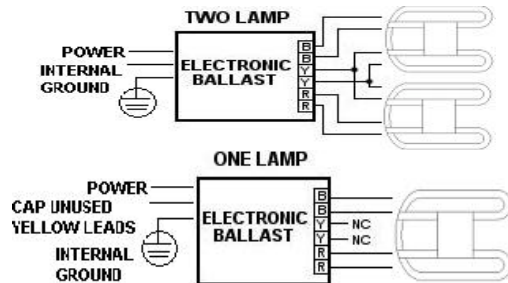
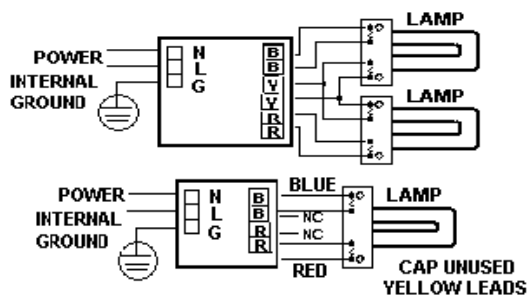
1/10/02

NO. OF LAMPS	INPUT VOLTAGE	LAMP WATTS	INPUT WATTS	MAX INPUT CURRENT (A)	BALLAST FACTOR	MODEL
2	120V	18	40	0.34	0.90	SCO218RS
2	277V	18	40	0.14	0.90	SCT218RS
2	347V	18	40	0.20	0.90	SCC218RS

NO. OF LAMPS	INPUT VOLTAGE	LAMP WATTS	INPUT WATTS	MAX INPUT CURRENT (A)	BALLAST FACTOR	MODEL
1	120V	18	22	0.19	0.90	SCO118RS
1	277V	18	22	0.08	0.90	SCT118RS
1	347V	18	22	0.06	0.90	SCC118RS

### 5 YEAR LIMITED WARRANTY

Manufacturer warrants to the purchaser: Electronic Ballast will be free from defects in material or workmanship from the date of manufacture conditioned upon proper storage, installation, use, and maintenance and conformance with any recommendations of Manufacturer.



Warning: Always Disconnect Power before Handling.  
Case Should be Grounded. Install in accordance  
with National and Local Electrical Codes.

Series C1S L W H ML  
Case Size: 165 mm 49 mm 33 mm 150 mm

1500 Marine Drive, #200 North Vancouver, BC V7P 1T7  
TEL: 604-904-9533 FAX: 604-904-9634  
www.sagelighting.com

*Sage  
Lighting Ltd.*

# COMPACT 1 or 2x32W, 26W, 1x42W 2D 1 or 2x28W, 1x55W

Rapid Start

Rapid Start (Series) High Frequency Electronic ballast for one or two (1 or 2) Compact 32W, 26W or one (1) 42W, one or two (1 or 2) 2D 28W or one (1) 2D 55W 4-pin Fluorescent lamps.

## Technical Specification:

CSA, UL Listed, CUL Certified  
EMI FCC Parts 18, Subparts C, Class A  
Rating: Type 1 Outdoor  
Sound Rating: Class A  
Min. Starting Temp: -18° C  
Max. Case Temp: 75° C  
THD: < 15%

Surge Protection: Meets ANSI C62.41  
Thermal Protection: CLASS P  
Lamp Current Crest Factor: < 1.6  
Remote Mounting Distance: 21 ft  
Power Factor: 0.99  
Input Frequency: 50/60HZ

For Bottom leads Specify "B" at the end of Model #

**Case Size: Series C2S**

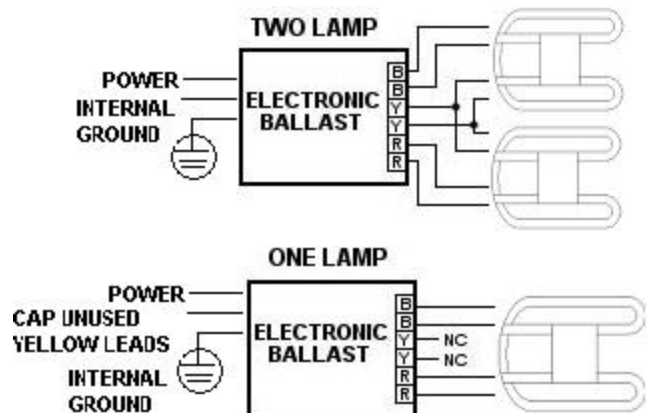
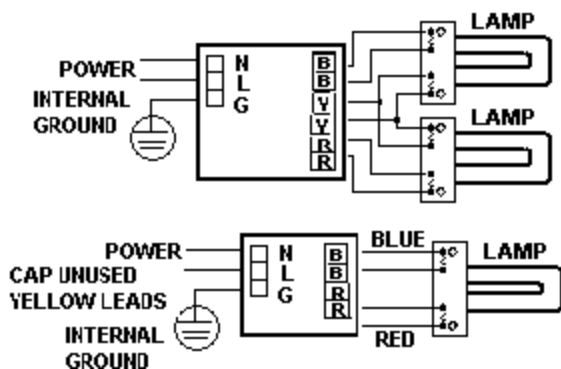
Due to continuing efforts to offer improved products all specifications are subject to change without prior notice

2/10/02

NO. OF LAMPS	INPUT VOLTAGE	LAMP WATTS	INPUT WATTS AVERAGE	MAX INPUT CURRENT (A)	BALLAST FACTOR	MODEL
2/1	120V	32/26/42	63/36 & 52/30/45	0.52/0.30 & 0.43/0.25/0.38	>0.88	SCO232CL
2/1	277V	32/26/42	63/36 & 52/30/45	0.23/0.13 & 0.19/0.10/0.16	>0.88	SCT232CL
2/1	347V	32/26/42	63/36 & 52/30/45	0.18/0.10 & 0.15/0.08/0.13	>0.88	SCC232CL

### 5 YEAR LIMITED WARRANTY

Manufacturer warrants to the purchaser: Electronic Ballast will be free from defects in material or workmanship from the date of manufacture conditioned upon proper storage, installation, use, and maintenance and conformance with any recommendations of Manufacturer.



Warning: Always Disconnect Power before Handling.  
Case Should be Grounded. Install in accordance with National and Local Electrical Codes.

Series C2S L W H ML  
Case Size: 174mm 61mm 31mm 158mm

# 2D 1 x 55W, 38W, 28W, 21W, 16W

## Rapid Start

Rapid Start High Frequency Electronic ballast complete with Polycarbonate housing and socket for: one (1) 2D 55W, 38W, 28W, 21W, 16W. GE Fluorescent lamp.

### Technical Specification:

UL Listed, CUL Certified	Surge Protection:	Meets ANSI C62.41
Factory <b>ISO-9002 Certified</b>	Thermal Protection:	CLASS P
Rating: Type 1 Outdoor	Lamp Current Crest Factor:	<1.7
Sound Rating: Class A	Remote Mounting Distance:	10 ft
Min. Starting Temp : 0° C	IR Interference: None	
Max. Case Temp: 60° C	Normal Power Factor	
Input Frequency: 50/60HZ		

Due to continuing efforts to offer improved products all specifications are subject to change without prior notice

NO. OF LAMPS	LAMP WATTAGE	INPUT VOLTAGE	AVERAGE INPUT WATTS	MAX INPUT CURRENT (A)	BALLAST FACTOR	MODEL
1	16	120V	18	0.26	0.90	SO1162D
1	16	277V	18	0.10	0.90	ST1162D
1	21	120V	23	0.30	0.90	SO1212D
1	21	277V	23	0.13	0.90	ST1212D
1	28	120V	26	0.36	0.90	SO1282D
1	28	277V	26	0.16	0.90	ST1282D
1	38	120V	35	0.51	0.90	SO1382D
1	38	277V	35	0.22	0.90	ST1382D
1	55	120V	47	0.80	0.90	SO1552D
1	55	277V	47	0.33	0.90	ST1552D

### 3 YEAR LIMITED WARRANTY

Manufacturer warrants to the purchaser: Electronic Ballast will be free from defects in material or workmanship from the date of manufacture conditioned upon proper storage, installation, use, and maintenance and conformance with any recommendations of Manufacturer. 3 years (For 60° C Max. Case Temp)

### CASE DIMENSION IN MM/INCHES

	16W/21W	28W/38W
<b>L</b>	66.29/2.61	79.25/3.12
<b>TL</b>	82.55/3.25	96.01/3.78
<b>ML</b>	72.90/2.87	85.60/3.37
<b>H</b>	36.07/1.42	37.08/1.46
<b>W</b>	105.92/4.17	109.98/4.33

