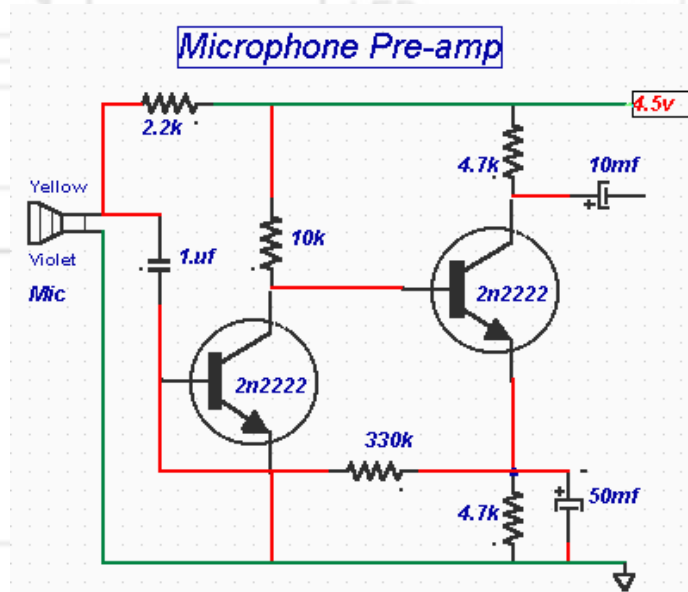


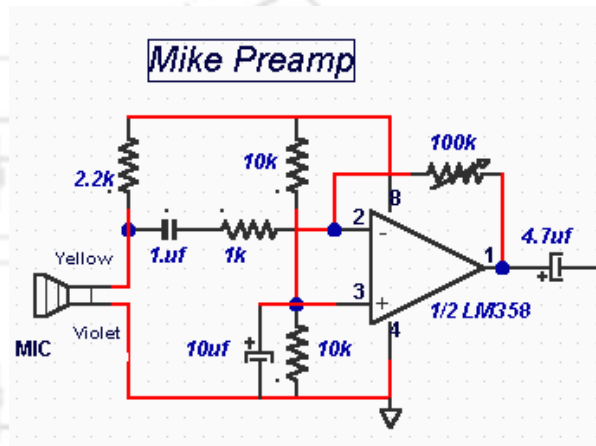
Handy Dandy #2 Little Circuits

[Download # 2 in PDF](#)

Want to use a small Microphone preamp with low voltage supply? Just three "AAA" cells give you more current and lasts longer than a 9v Batt.

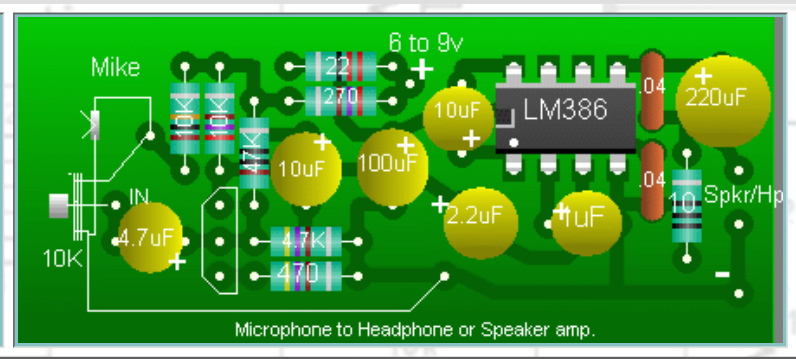
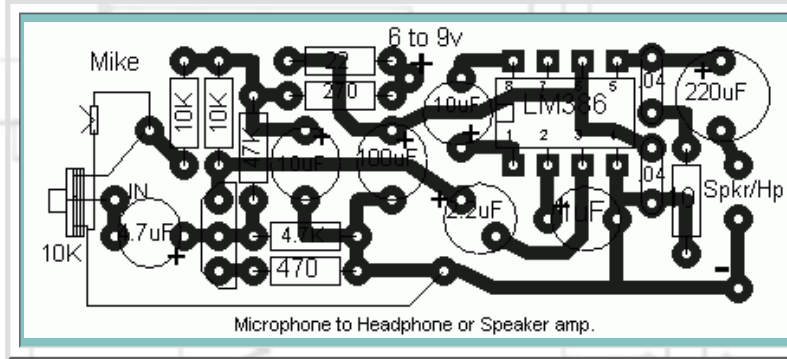
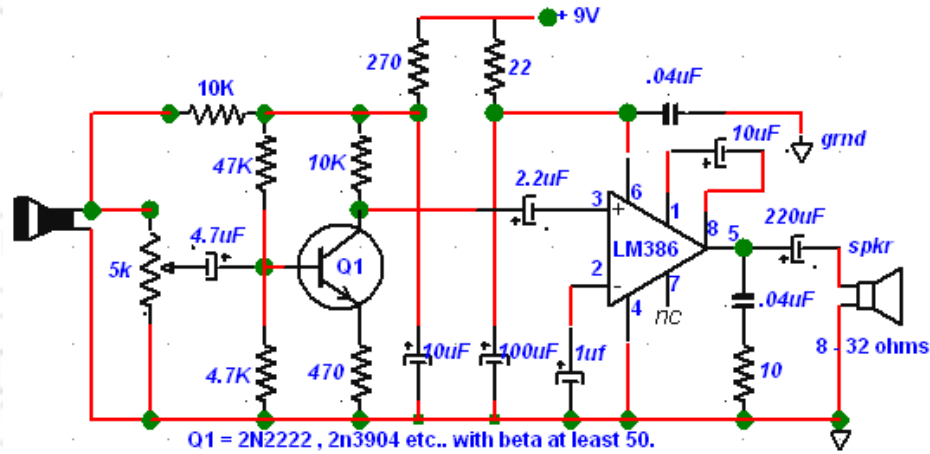


This an easy-to-assemble circuit with an LM 158/358 or other better op-amp of your choice with a wide gain adjustment for your need. Use a 9v Batt. supply. You must take care to adjust the gain so as not to distort the output. The microphone used is a Mini-Condenser Mike Element from Radio Shack ARCHER No 270-085.

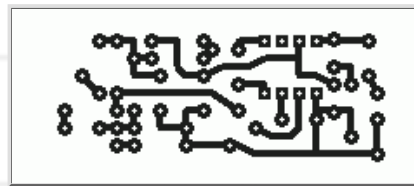


The circuit below is a complete circuit for use as a powerful microphone amplifier with a gain of up to 4000.

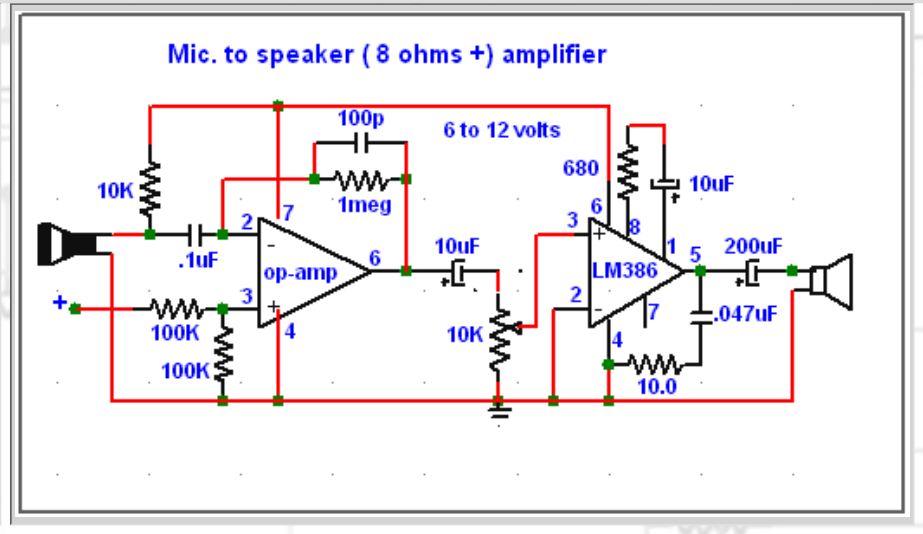
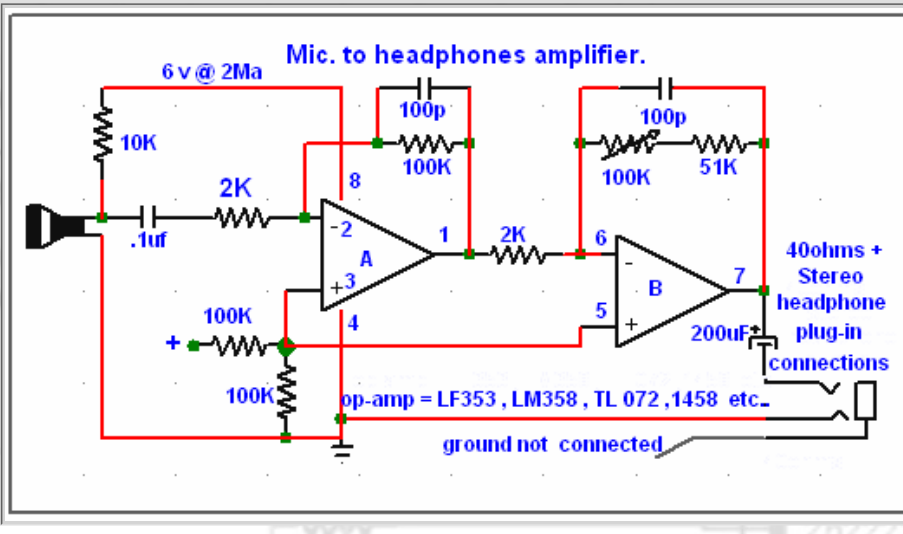
Microphone Amplifier



Actual size PCB



More Microphone circuits



▶ HOME

