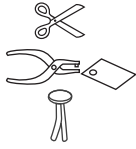


Make Your Own Paper Wings

<http://www.davidbynoe.com/paperwings.pdf>

You will need:

- Sissors
- Hole punch
- Brass fasteners x 7



David Bynoe

<http://www.davidbynoe.com>

<http://dbynoe.blogspot.com>

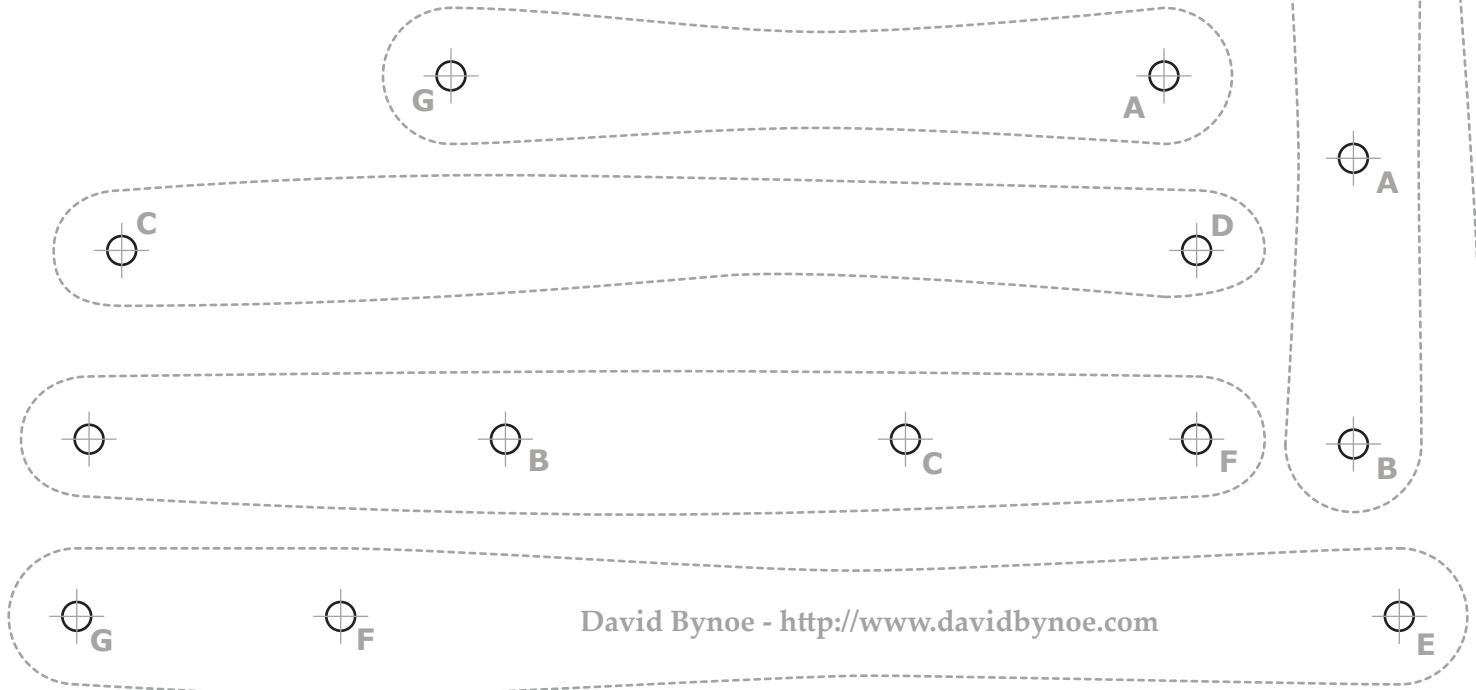
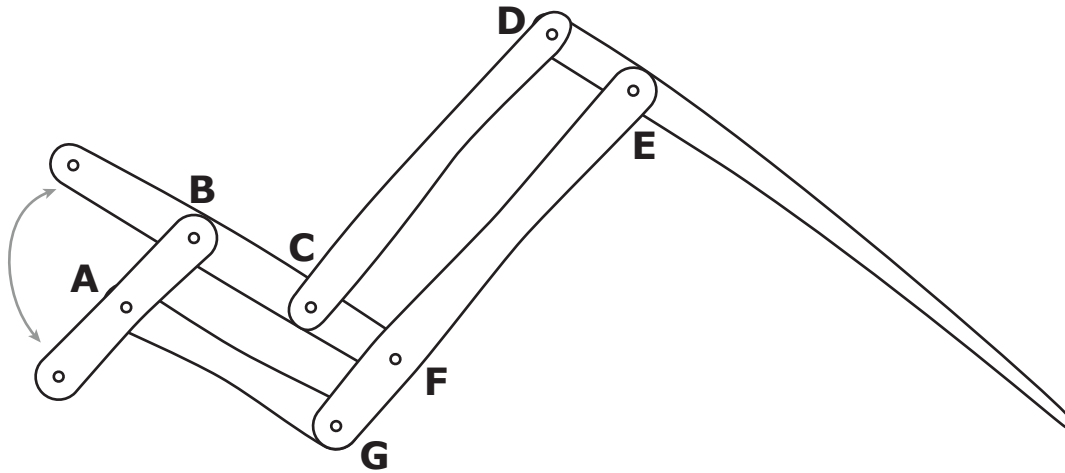
info@davidbynoe.com

To build:

1. Cut out the pieces
2. Punch holes in indicated spots
3. Match the letters and join the pieces with the fasteners
4. Place on smooth flat surface and move the levers

To go further:

1. Trace the shapes onto cardboard or wood and build the same way for stronger wings.
Note that only the distance between the holes is important, not the outside shape, so make them fancy.
2. Try some experiments by substituting links of different lengths, how does it change the motion?



David Bynoe - <http://www.davidbynoe.com>



This work is licensed under the Creative Commons Attribution-NonCommercial-Share Alike 2.5 Canada License.

To view a copy of this license, visit <http://creativecommons.org/licenses/by-nc-sa/2.5/ca/>

In summary, you are free to share and remix this work under the following conditions:

Give me credit. Noncommercial use only. And share alike (distribute under a similar licence).

Oh, and send me pictures: info@davidbynoe.com