

SERVICE BULLETIN

Model ACCORD CIVIC DEL SOL PRELUDE	Applicable To See VEHICLES AFFECTED	File Under ELECTRICAL	Bulletin No. 95-011
			Issue Date FEB 21, 1995

Blower Motor Noise

SYMPTOM

The blower motor makes a high pitched-noise after running for 15 to 30 minutes on speed 2 or 3. The frequency of the noise is very high and, therefore, not audible to everyone.

PROBABLE CAUSE

The blower motor brushes are vibrating.

VEHICLES AFFECTED

1994 Accord

- 4-Door – Thru VIN JHMCD5 ... RC108166
1HGCD5 ... RA161285
- 2-Door – Thru VIN 1HGCD7 ... RA049970
- Wagon – Thru VIN 1HGCE1 ... RA010149

1992-94 Civic

- 4-Door – Thru VIN 1HGEG8 ... RL056199
JHMEG8 ... RS017038
JHMEH9 ... RS014811
- 3-Door – Thru VIN 2HGEH ... RH525709
- 2-Door – Thru VIN 1HGEJ ... RL032667
1HGEJ ... RL030207
2HGEJ ... RH553868

1992-94 del Sol

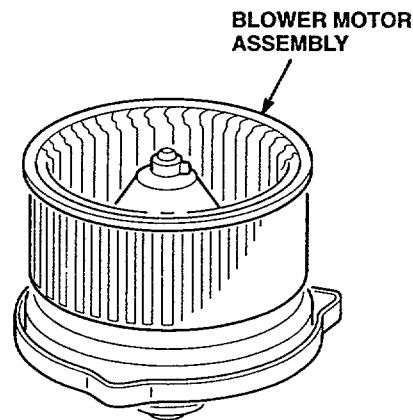
- S – Thru VIN JHMEH6 ... RS007660
- Si – Thru VIN JHMEG1 ... RS006425
- VTEC – Thru VIN JHMEG2 ... RS002967

1992-94 Prelude

- S – Thru VIN JHMBA8 ... RC004437
- Si – Thru VIN JHMBB2 ... RC008222
- VTEC – Thru VIN JHMBB1 ... RC001693

CORRECTIVE ACTION

Replace the blower motor as described in the appropriate service manual.



PARTS INFORMATION

Blower motor assembly:
P/N 79310-SR3-A01, H/C 3892916

WARRANTY CLAIM INFORMATION

In warranty: The normal warranty applies.

Out of warranty: Any repair performed after warranty expiration may be eligible for goodwill consideration by the District Service Manager or your Zone Office. You must request consideration, and get a decision, before starting work.

Operation number: 612105
Flat rate time: 0.4 hour – Prelude
0.2 hour – Accord, Civic,
and del Sol
Failed part: P/N 79310-SR3-A01
H/C 3892916
Defect code: 042
Contention code: B07