

SERVICE BULLETIN

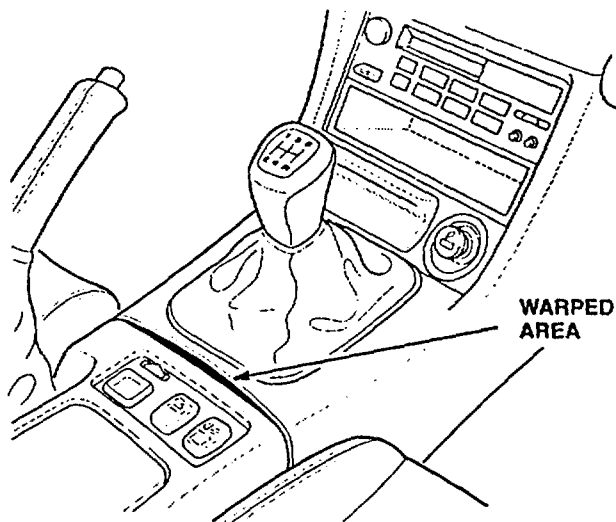
HONDA

Model	Applicable To	File Under	Bulletin No.
1992 - 94 PRELUDE	ALL	BODY	94-044
			Issue Date DEC 12, 1994

Warped Console

PROBLEM

The front console is warped at the seam with the center console.



PARTS INFORMATION

Spring clip (2 required):

P/N 90610-SR3-003, H/C 3964475

WARRANTY CLAIM INFORMATION

In warranty: The normal warranty applies.

Out of warranty: Any repair performed after warranty expiration may be eligible for goodwill consideration by the District Service Manager or your Zone Office. You must request consideration, and get a decision, before starting work.

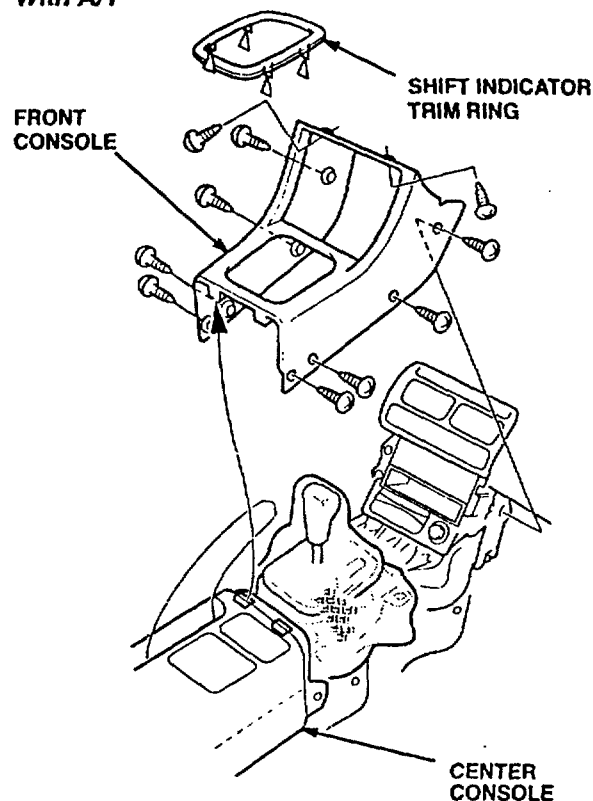
Operation number: 841006
Flat rate time: 0.4 hour
Failed part: P/N 77291-SS0-010ZA
H/C 4115762
Defect code: 004
Contention code: A01

CORRECTIVE ACTION

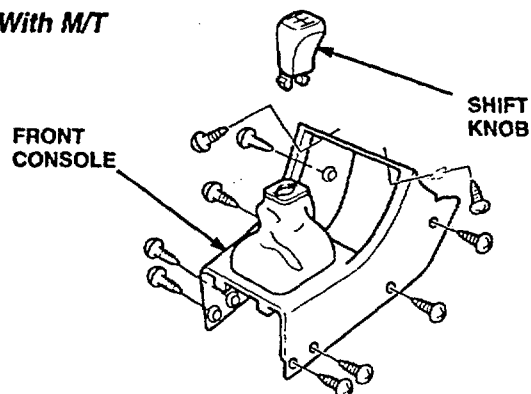
Modify and install new spring clips (see PARTS INFORMATION).

1. Remove the front console.

With A/T



With M/T



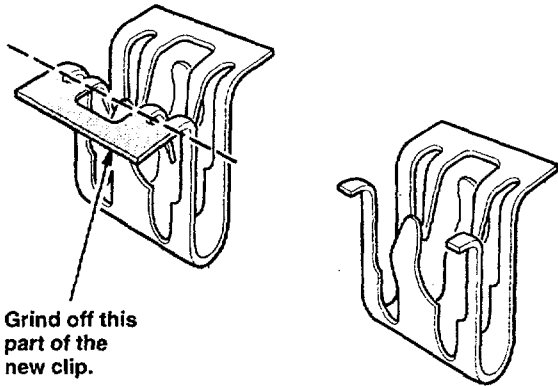
Index # **041887**

ATB 16917 (9412)

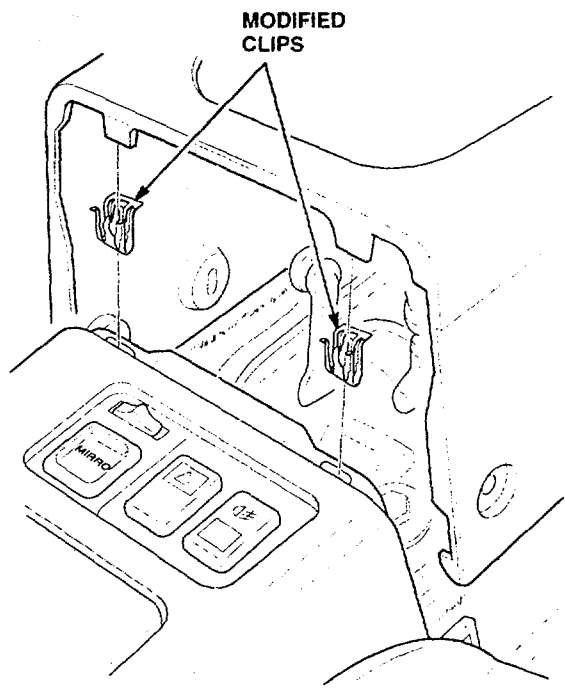
1 of 2

This bulletin is intended for use *only* by skilled technicians who have the proper tools, equipment, and training to correctly and safely maintain your car. These procedures should not be attempted by "do-it-yourselfers," and you should not assume this bulletin applies to your car, or that your car has the condition described. To determine whether this information applies, contact an authorized Honda automobile dealer.

2. Use a bench grinder to remove one ear from each new spring clip.



3. Install the modified spring clips in the slots in the front of the center console.



4. Reinstall the front console.