

# SERVICE BULLETIN

**HONDA**  
AUTOMOBILE SERVICE DEPARTMENT

Model	Applicable To	File Under	Bulletin #
1988 - 93 PRELUDE	ALL	BODY	93-012
			Issue Date FEB 19, 1993

## Squeak From Center Console

### SYMPTOM

A squeaking noise from the center console.

### PROBABLE CAUSE

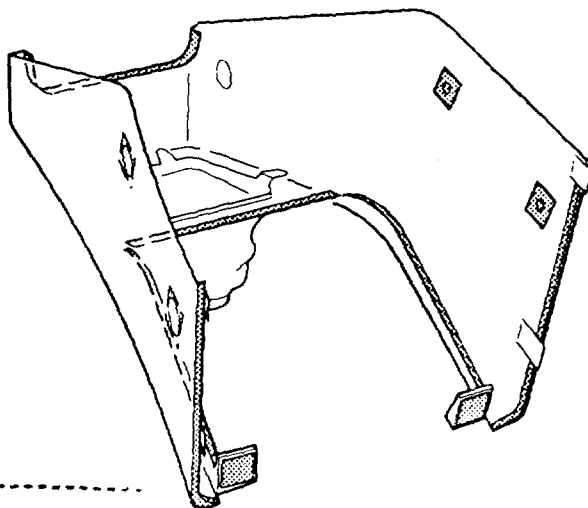
Friction between the center console and the instrument panel.

### CORRECTIVE ACTION

Insulate the points of contact with EPT Sealer or adhesive-backed wool felt.

#### 1988-91 Prelude

1. Remove the center console as described in the service manual.
2. Cut strips of adhesive-backed wool felt (P/N 06693-SA5-000). Apply them to all points highlighted in the illustration.

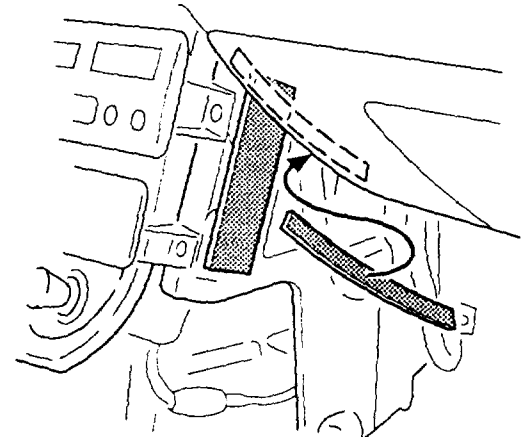


Index # **032660**

3. Reinstall the center console.

#### 1992-93 Prelude

1. Remove the center console as described in the Service Manual.
2. Cut strips of adhesive-backed wool felt (P/N 06693-SA5-000). Apply them to the instrument panel edges where they contact the center console.
3. Cut a section of 10T EPT Sealer (P/N 06992-SA5-000), and apply it to both sides of the radio bracket.



4. Reinstall the center console.

### WARRANTY CLAIM INFORMATION

**In warranty:** The normal warranty applies.

**Out of warranty:** Any repair performed after warranty expiration may be eligible for goodwill consideration by the District Service Manager. You must request consideration, and get the DSM's decision, before starting work.

Operation number: 841015

Failed part number: 77301-SS0-A01ZB

Flat rate time: 0.5 hour

Defect code: 042

Contention code: B07