

SERVICE BULLETIN

HONDA
AUTOMOBILE SERVICE DEPARTMENT

Model 1992 - 94 PRELUDE	Applicable To ALL	File Under BODY	Bulletin No 92-014 Issue Date OCT 8, 1992
-------------------------------	----------------------	--------------------	--

Noise from the Sunroof or Roof Area

(Supersedes 92-014, *Squeaks From Open Sunroof*, dated March 13, 1992, and 92-028, *Squeaking From Closed Sunroof*, dated August 28, 1992)

INDEX OF SYMPTOMS

Location/type of noise	Page
Sunroof squeaks when open	1
Sunroof squeaks when closed	3
Creaks from the rear of the roof	4

PROBABLE CAUSE AND CORRECTIVE ACTION

See the appropriate page for each type of noise.

NOTE: Some of these noises occur during normal driving. Some occur only when driving over certain road surfaces. Ask the customer to describe the driving conditions surrounding each noise.

WARRANTY CLAIM INFORMATION

In warranty: The normal warranty applies.

Out of warranty: Any repair performed after warranty expiration may be eligible for goodwill consideration by the District Service Manager or your Zone Office. You must request consideration, and get a decision, before starting work.

The operation number, flat rate time, failed part number, defect code, and contention code are listed under the WARRANTY CLAIM INFORMATION for each type of noise.

Sunroof Squeaks When Open

SYMPTOM

A squeaking noise coming from the sunroof panel when it is open. The noise goes away when the sunroof is closed or nearly closed.

PROBABLE CAUSE

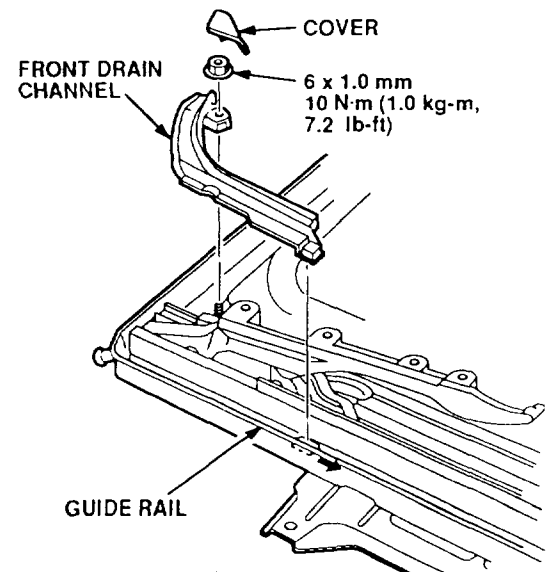
The liner is rubbing against the sunroof panel, or there is interference between the sunroof panel and sunroof frame components.

CORRECTIVE ACTION

Perform the following procedure to eliminate the sunroof squeaks.

Front Drain Channel Interference

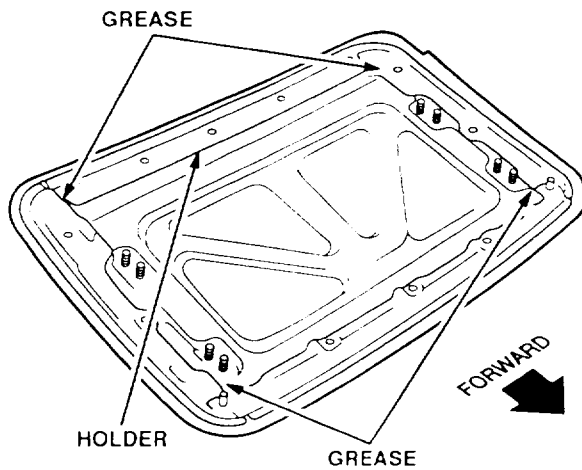
1. Open the sunroof, and apply tracing powder or baby powder to the tops of both front drain channels.
2. Close and open the sunroof several times. Check the powder to see if the sunroof panel has come in contact with it. If not, go to step 4.
3. If the sunroof panel has disturbed the powder on either side, replace that drain channel with the appropriate part listed under PARTS INFORMATION.
 - Pry off the plastic cover, then remove the nut holding the front drain channel. Lift the channel off the stud, and slide it forward. Flex the center part of the channel, and rotate the front up into the sunroof opening. Slide the channel forward until the rear clears the lip of the guide rail. Remove the drain channel.



- Install the new channel in reverse order.
- Replace the other drain channel if necessary.

Seal Holder Interference

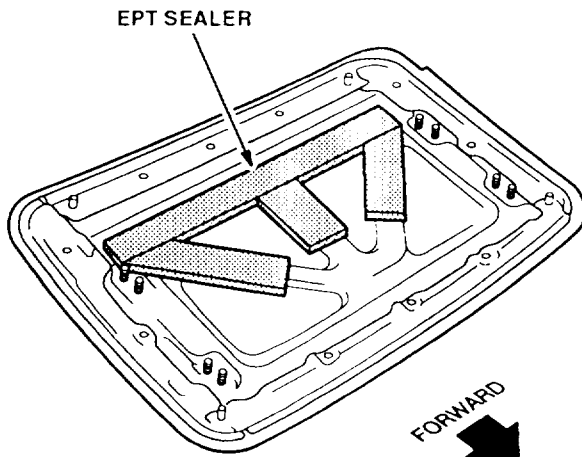
4. Remove the sunroof liner and panel as shown in the appropriate service manual.
5. Remove all four seal holder plates from the sunroof panel. Examine the plates for shiny spots that indicate they have been rubbing against each other or the sunroof panel.
6. Apply multipurpose grease to the areas of contact between the panel and plates.



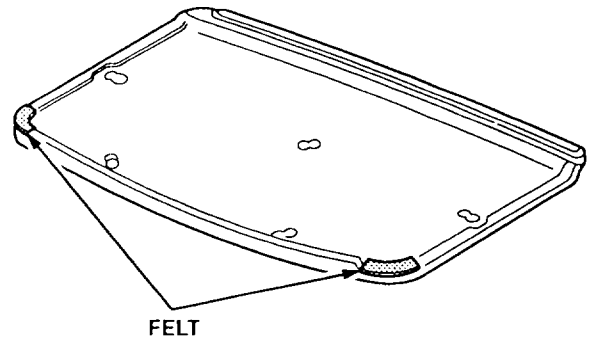
7. Reinstall the seal holder plates.

Panel Liner Squeak

8. Apply EPT Sealer 3T to the sunroof panel reinforcing channels as shown.

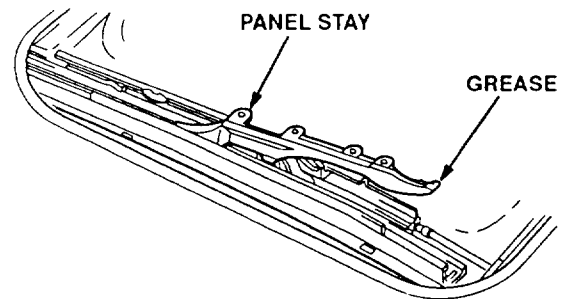


9. Apply felt to the front corners of the liner as shown.

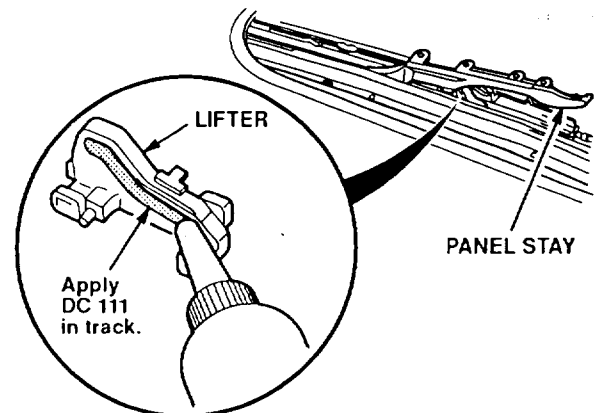


Lockdown Hook Squeak

10. Apply silicone grease to the rear lockdown tabs on both panel stays as shown.



11. Lubricate the inside track on the sunroof lifter with DC 111.



12. Reinstall the sunroof panel and liner as shown in the appropriate service manual.

13. Test the operation of the sunroof. Test drive the car with the sunroof in various open positions, and listen for squeaks.

PARTS INFORMATION

Front drain channel, right: P/N 70251-SS0-003
H/C 3948064

Front drain channel, left: P/N 70256-SS0-003
H/C 3948072

EPT Sealer 3T: P/N 06990-SA5-000
H/C 2086643

Wool felt: P/N 06993-SA5-000
H/C 2086676

NEW

WARRANTY CLAIM INFORMATION

OPERATION NUMBER	DESCRIPTION	FLAT RATE TIME
814250	Repair sunroof	0.6 hour
A	Replace one or both front drain channels, add	0.1 hour

Failed part: P/N 70100-SS0-003
H/C 3948015

Defect code: 042

Contention code: B07

Sunroof Squeaks When Closed

SYMPTOM

A squeaking noise in the rear of the sunroof panel when driving on rough roads with the sunroof closed.

PROBABLE CAUSE

Interference between the sunroof panel and the rear drain channels. In most cases the rear corners of the sunroof panel sit below the roof panel.

DIAGNOSIS

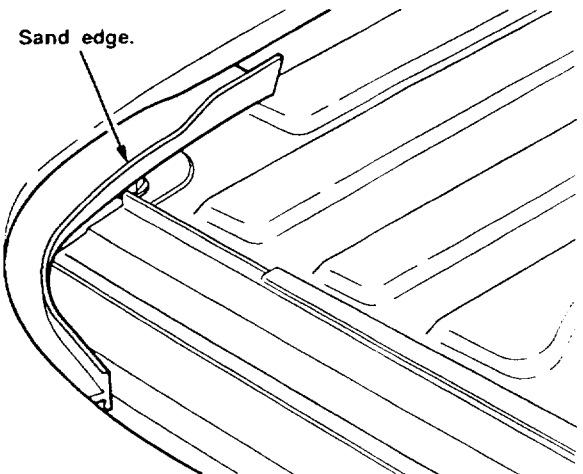
Verify the noise by driving on a irregular surface with the sunroof closed. Then, open the sunroof just enough to raise the rear of the panel off the sunroof pan. Drive the car over the same surface, and see if the noise is gone. If so, proceed with **CORRECTIVE ACTION**. If not, proceed to *Sunroof Squeaks When Open*.

CORRECTIVE ACTION

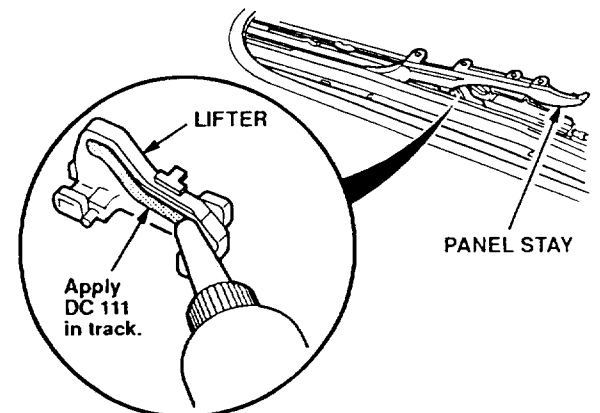
Perform the following procedure to eliminate the noise.

1. Measure the height of the sunroof panel according to the procedure in the appropriate service manual.

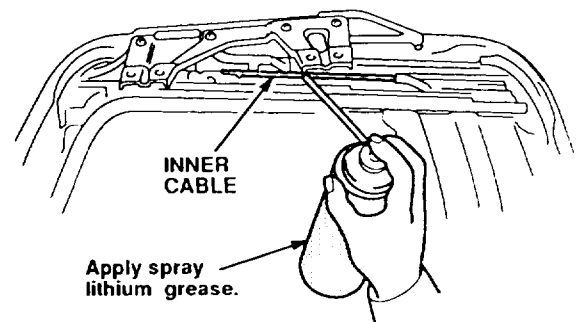
2. Remove the sunroof panel liner.
3. Remove the sunroof panel.
4. If the height of the sunroof panel measured more than 1.4 mm higher than the roof panel in step 1, sand the edge of the rear drain channel on the side that squeaks to remove any high spots.



5. Lubricate the inside track on the sunroof lifter with DC 111.



6. Thoroughly lubricate the inner cables in the sliding track areas with spray lithium grease. To work the grease into the cable housings use the sunroof switch to move the cables in and out several times.



7. Install the sunroof panel. If the height of the sunroof panel measured less than 1.4 mm higher than the roof panel in step 1, install a sunroof shim on the side that squeaks.
8. Install the sunroof panel liner.
9. Close the sunroof. Test drive the car on an irregular surface, and listen for squeaks.

WARRANTY CLAIM INFORMATION

Operation number: 814010
 Flat rate time: 0.6 hour
 Failed part: P/N 70250-SS0-003ZZ
 H/C 3948056
 Defect code: 042
 Contention code: B07

Creaks From the Rear of the Roof **NEW**

SYMPTOM

A creaking noise from above the rear headliner, or from the rear headliner itself, when driving on rough roads.

PROBABLE CAUSE

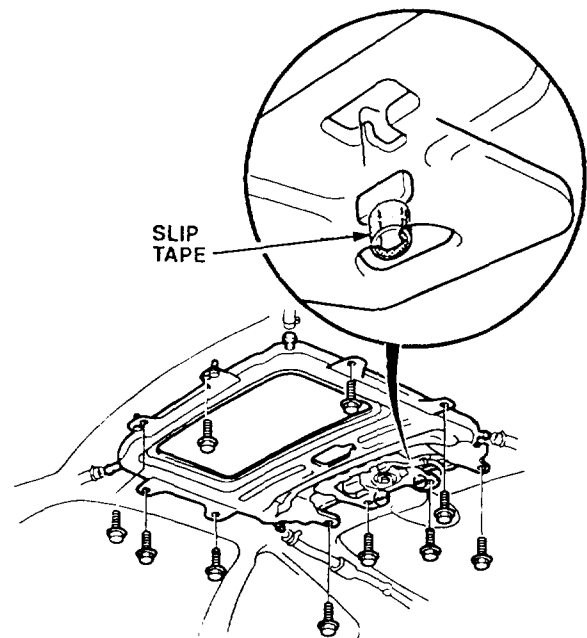
The rear hooks on the sunroof frame are creaking against their hangers, or the rear headliner clips are creaking in the sunroof frame.

DIAGNOSIS

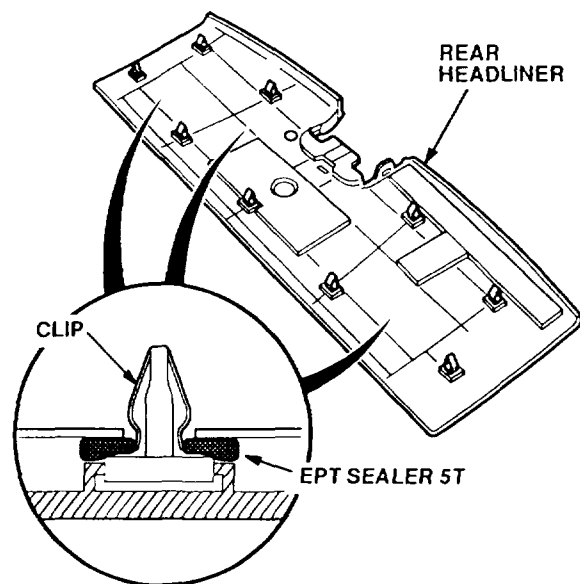
Verify the noise by driving on an irregular surface. If the noise goes away when you push the rear headliner up with your hand, go to step 4. Otherwise, perform the entire procedure below.

1. Remove the sunroof frame according to the procedure in the appropriate service manual.

2. Wrap both of the sunroof frame rear hooks with slip tape (see PARTS INFORMATION) as shown.



3. Reinstall the sunroof frame and all the other parts except the rear headliner and, if applicable, the high mount brake light.
4. Apply a strip of EPT Sealer 5T (see PARTS INFORMATION) at the base of each rear headliner clip as shown.



5. Reinstall the rear headliner and, if applicable, the high mount brake light.
6. Test drive the car on an irregular surface, and listen for creaks.

PARTS INFORMATION

EPT Sealer 5T: P/N 06991-SA5-000
H/C 2086650

Slip tape: P/N 06994-SA5-000
H/C 2086684

WARRANTY CLAIM INFORMATION

Operation number: 814020

Flat rate time: 2.0 hours

Failed part: P/N 83210-SS0-003ZA
H/C 3954450

Defect code: 042

Contention code: B07