

# SERVICE BULLETIN

**HONDA**  
AUTOMOBILE SERVICE DEPARTMENT

Model	Applicable To	File Under	Bulletin No.
<b>NEW</b> 1988 - 93 PRELUDE ACCORD CIVIC	ALL	BODY	91-001
			Issue Date
			NOV 13, 1991

## Creaking Noise From the Window Regulator (Supersedes 91-001, dated November 15, 1991)

### SYMPTOM

A creaking sound from the regulator while raising or lowering the window.

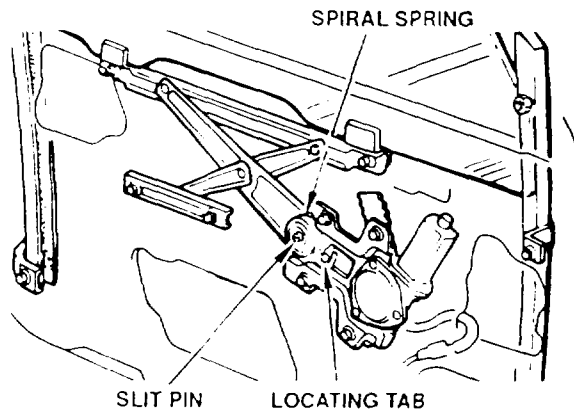
### PROBABLE CAUSE

A noisy spiral spring.

### CORRECTIVE ACTION

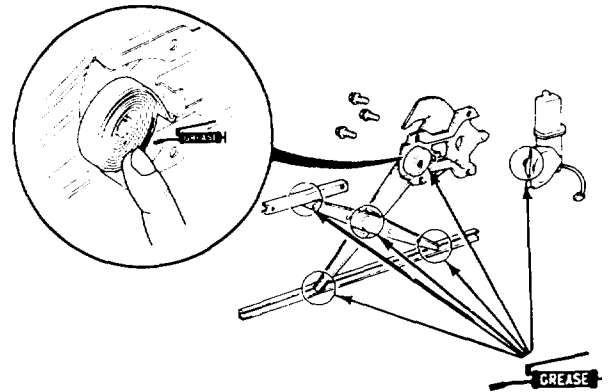
Replace the spiral spring with the new part listed under PARTS INFORMATION.

1. Remove the window regulator as described in the appropriate service manual.
2. Remove and replace the spiral spring as follows:
  - Turn the regulator drive to bring the arms close together.
  - Using a flat-tip screwdriver, pry the hooked end of the spiral spring away from the regulator.



- Slide the new spiral spring over the slit pin of the regulator. Use the flat-tip screwdriver to hook the outer end of the spring to the locating tab.

3. Lubricate the plastic slides with Whit Lithium Grease (P/N 08732-0005). Apply multipurpose grease to the spiral spring as shown.



4. Reinstall the window regulator, and reassemble the door.

### WARRANTY CLAIM INFORMATION

**In warranty:** The normal warranty applies.  
**Out of warranty:** Any repair performed after warranty expiration may be eligible for goodwill consideration by the District Service Manager. You must request consideration, and get the DSM's decision, before starting work.

Operation number: 826115

Flat rate time:

Accord & Civic: 0.8 hour

Prelude: 1.0 hour

A: With passive restraint system add 0.2 hour (CRX, Accord Coupe, Accord 3-Door and Civic 3-Door)

Failed part: P/N 72212-SH3-J01  
H/C 3497005

Defect code: 042

Contention code: B07

Index # **032160**

## PARTS INFORMATION

### Front Doors:

#### Accord

Description	Model	Year	Part Number	H/C
Spiral spring, manual/power	2-Door	1988 – 90	72212-SH3-003	3497013
Spiral spring, manual/power	2-Door	1990 – 93	72212-SM2-003	3497021
Spiral spring, manual/power	3-Door	1988 – 89	72212-SH3-003	3497013
Spiral spring, manual/power	4-Door (Ohio)	1990 – 93	72212-SM1-003	3500485
Spiral spring, manual	4-Door	1988 – 89	72212-SH3-003	3497013
Spiral spring, manual	4-Door (Japan)	1990 – 93	72212-SH3-003	3497013
Spiral spring, power	4-Door	1988 – 89	72212-SH3-J01	3497005
Spiral spring, power	4-Door	1990 – 93	72212-SH3-J01	3497005
Spiral spring, power	Wagon	1991 – 93	72212-SM1-003	3500485

#### Civic

Spiral spring, manual	ALL	1988 – 93	72212-SH3-003	3497013
Spiral spring, power	ALL	1988 – 93	72212-SH3-J01	3497005
Spiral spring, manual	Wagon	1988 – 91	72212-SH5-004	3500303

#### Prelude

Spiral spring, manual	ALL	1988 – 91	72212-SH3-003	3497013
Spiral spring, power	ALL	1988 – 93	72212-SH3-J01	3497005

### Rear Doors:

#### Accord

Description	Year	Part Number	H/C
Spiral spring, manual	1988 – 89	72212-SH3-003	3497013
Spiral spring, power	1988 – 89	72212-SH3-J01	3497005