



Applies To: 1997-99 Prelude - ALL

June 8, 1999

Moonroof Rattles When Open

SYMPTOM

The moonroof rattles when you drive with it open.

PROBABLE CAUSE

The guide rails have too much free play.

CORRECTIVE ACTION

Replace the guide rails, and adjust the glass brackets.

PARTS INFORMATION

Right Guide Rail Assembly
P/N 70310-S30-J11, H/C 5205851

Left Guide Rail Assembly
P/N 70315-S30-J11, H/C 5205869

REQUIRED MATERIALS

Super High Temperature Urea Grease:
P/N 08798-9002, H/C 3720984
(Each container will repair about 100 vehicles.)

3M Strip-Calk (Black):
3M P/N 051135-08578
(Each container will repair about 20 vehicles.)

WARRANTY CLAIM INFORMATION

In warranty: The normal warranty applies.

Operation number: 814119

Flat rate time: 3.5 hours

Failed part: P/N 70310-S30-J11
H/C 5205851

Defect code: 043

Contention code: B07

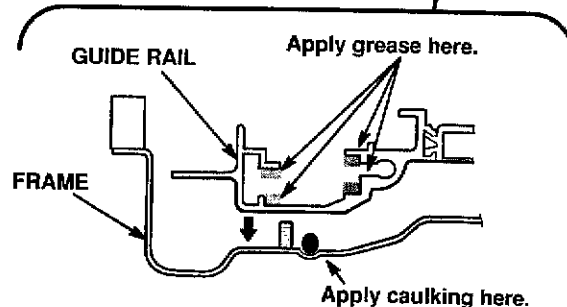
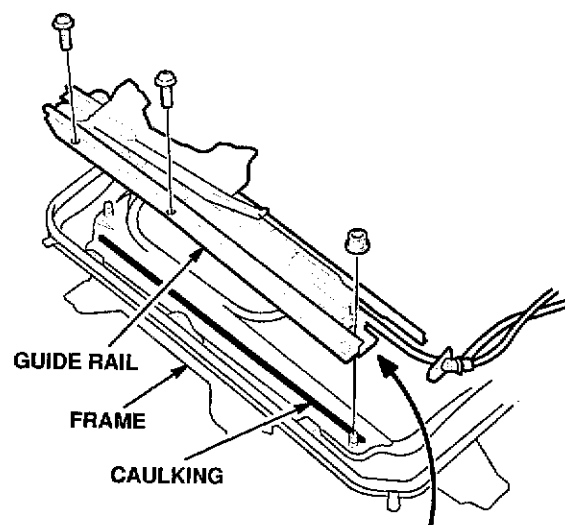
Template ID: 99-048A

Skill level: Repair Technician

Out of warranty: Any repair performed after warranty expiration may be eligible for goodwill consideration by the District Service Manager or your Zone Office. You must request consideration, and get a decision, before starting work.

REPAIR PROCEDURE

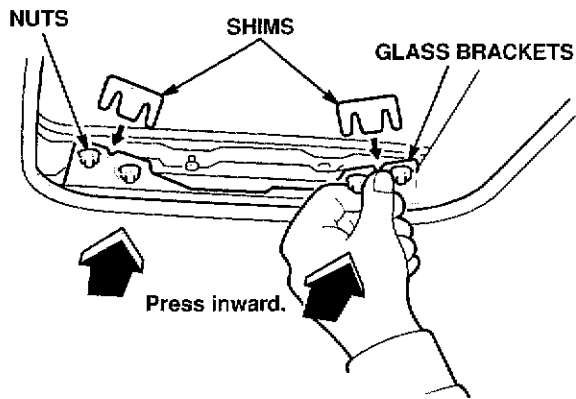
1. Remove the headliner (see page 20-43 of the 1997-99 Prelude Service Manual).
2. Remove the moonroof glass (see page 20-34). Note the number and location of shims (if any) when removing the glass.
3. Remove the frame (see page 20-35).
4. Remove the moonroof motor (see page 20-35).
5. Remove the drain channels (see page 20-37).
6. Remove and discard the guide rails (see page 20-37).
7. Apply 3M Strip-Calk to the guide rail mounting surfaces of the frame.



8. Apply Super High Temperature Urea Grease to the sliding surfaces of the new guide rails.
9. Install the new guide rails.

058644

10. Reinstall the drain channels.
11. Reinstall the frame.
12. Press inward on the glass brackets as shown to remove any free play, and reinstall the moonroof glass and the shims (if any).



13. Reinstall the moonroof motor.
14. Reinstall the headliner.
15. Test-drive the vehicle with the moonroof open to make sure the noise is gone.