

Applies To: **ALL with Anti-Theft Audio Units**

April 15, 1998

Audio Unit Anti-Theft Code Labels

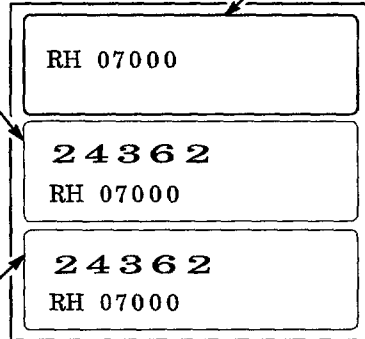
BACKGROUND

This service bulletin describes where to attach the audio unit anti-theft labels that come in the glove box of vehicles equipped with anti-theft audio systems.

If a vehicle has an anti-theft audio system, there are three peel-off labels in the glove box. Two of the labels have both the anti-theft code and the audio unit's serial number, and a third label contains only the serial number for the audio unit.

Stick the second label to the Radio Identification Card.

Stick the label with only the serial number on the glove box.



Stick the third label to the vehicle's service records.

During PDI, stick the label with only the serial number on the glove box. If the radio code ever needs to be retrieved through the HONDANET 2000 system, this will save you the time and labor of removing the audio unit to record the serial number.

NOTES:

- Also perform this procedure when installing an accessory audio unit that is equipped with an anti-theft system.
- If a remanufactured audio unit is installed in a vehicle, remove the old labels and install new ones on the glove box, Radio Identification Card, and the vehicle's service records.
- If the glove box is ever replaced, transfer the labels from the old glove box to the new one.

WARRANTY CLAIM INFORMATION

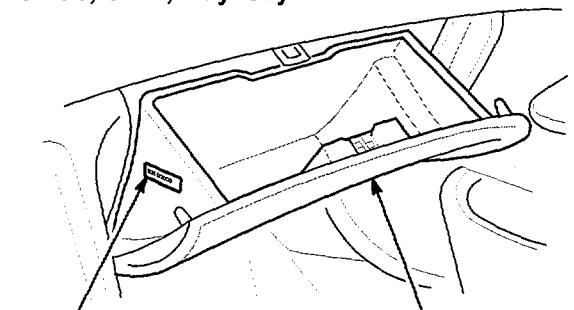
None. This bulletin is for information only.

Skill level: Maintenance Technician

PROCEDURE

1. Stick the label containing only the serial number information on the glove box.

Prelude, CR-V, Odyssey:

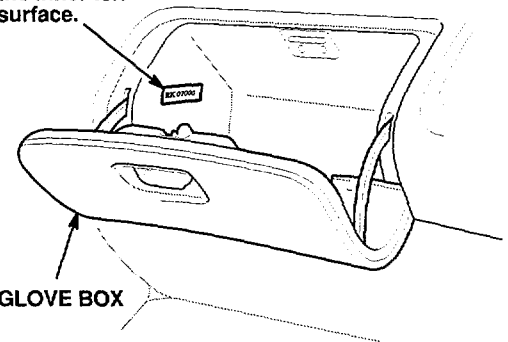


Stick the label to the outer-left surface.

GLOVE BOX

Accord:

Stick the label to the inner-left surface.



GLOVE BOX

2. Stick the remaining two labels on the Anti-Theft Radio Identification Card and on the vehicle's service records.

Index # 049871