



Applies To: 1997 Prelude – Thru VIN JHMBB6... VC015345

February 9, 1998

Squeaking Seat

SYMPTOM

One or both of the seats has a squeaking sound coming from the area of the seat belt latch.

PROBABLE CAUSE

The bushing at the seat pivot is loose.

CORRECTIVE ACTION

Replace the pivot bushing with the new bushing listed under PARTS INFORMATION.

PARTS INFORMATION

Pivot Bushing:

P/N 81117-S47-003, H/C 5208517

WARRANTY CLAIM INFORMATION

In warranty: The normal warranty applies.

OP #	Description	FRT	Template ID
851115	Replace pivot bushing, one seat	0.5	98-016A
851116	Replace pivot bushing, both seats	1.0	98-016B

Failed part: P/N 81117-S47-003
H/C 5208517

Defect code: 042

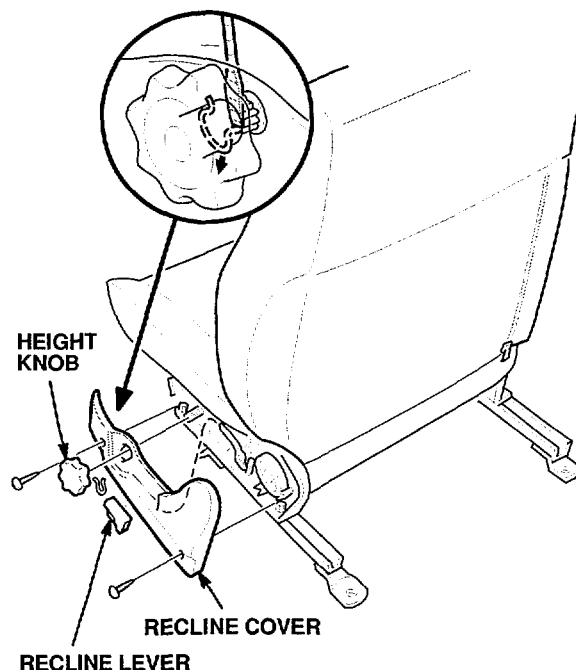
Contention code: B07

Skill level: Repair Technician

Out of warranty: Any repair performed after warranty expiration may be eligible for goodwill consideration by the District Service Manager or your Zone Office. You must request consideration, and get a decision, before starting work.

REPAIR PROCEDURE

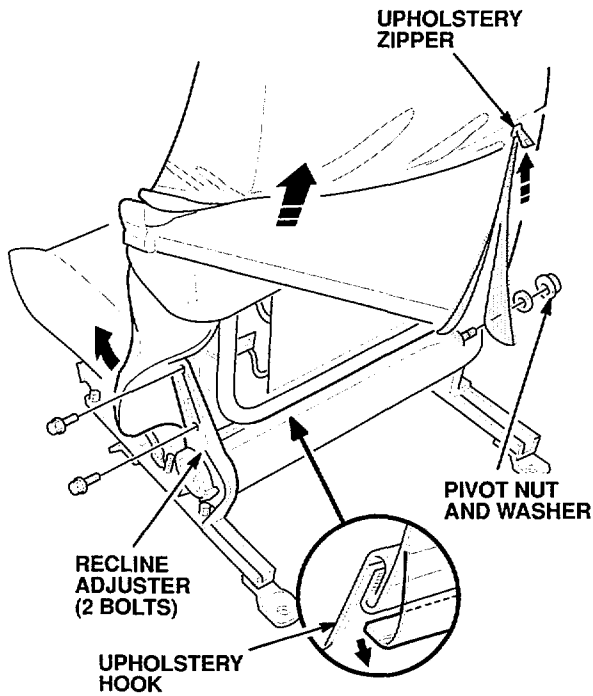
1. Remove the head restraint.
2. Remove the seat track end covers.
3. Remove the seat mounting bolts.
4. (Driver's side only) Lift the seat and disconnect the electrical connector.
5. Remove the seat from the vehicle.
6. Refer to page 20-55 of the service manual. Remove the height knob (driver's seat) and the recline lever.



7. Remove the recline cover (two screws).

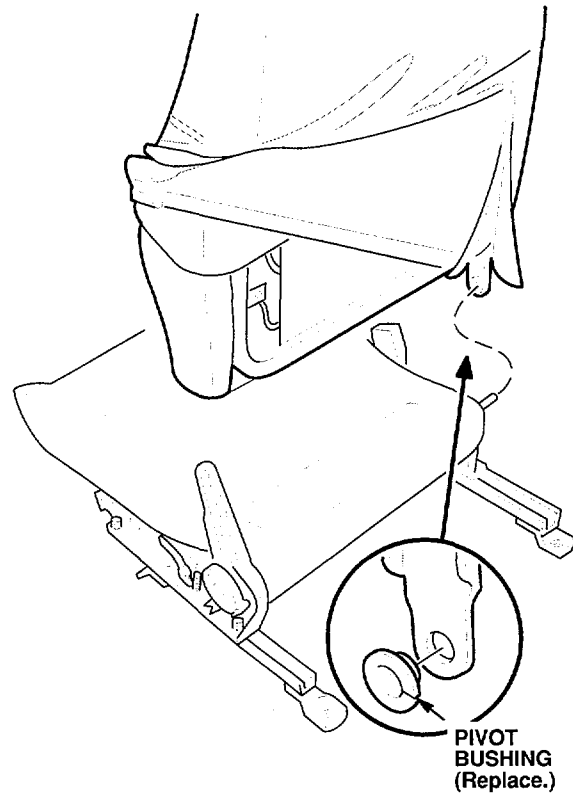
Index # 049510

8. Unhook the upholstery on the outside of the seat-back. Pull it up and remove the bolts that mount the seat-back to the recline adjuster.



9. Remove the pivot nut (on the console side of the seat-back).

10. Remove the original pivot bushing, and install the new bushing.



11. Reinstall the seat-back. Torque the pivot nut to 22 N·m (16 lb-ft). Torque the bolts to 47 N·m (35 lb-ft).
12. Reassemble the seat.
13. Reinstall the seat in the vehicle. Torque the mounting bolts to 34 N·m (25 lb-ft).
14. Reinstall the head restraint and the seat track end covers.