



Applies To: **ALL Models**

February 23, 1998

Hydraulic Lift Truck

(Supersedes 98-001, dated January 19, 1998)

The hydraulic lift truck shown below, or equivalent, is required to safely lift transmissions, engines, and other heavy items to and from carriers. (See Section 3.9 of your Automobile Dealer Sales and Service Agreement.)

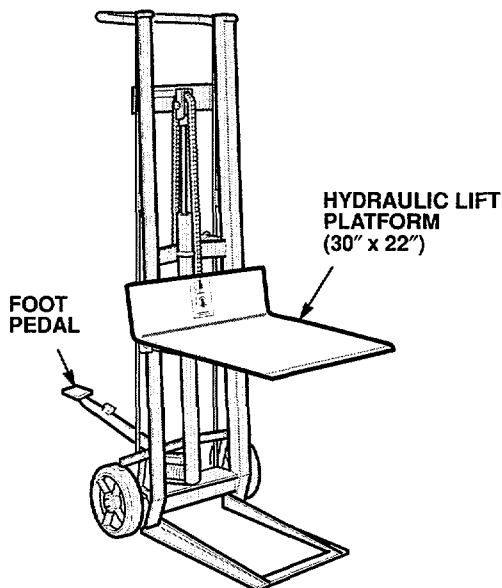
NOTE: After March 1, 1998, American Honda will no longer provide special lift-gate truck service for Common Carrier LTL (Less than a Truck Load) shipments of heavy items such as remanufactured automatic transmissions, engine blocks, etc.

This new policy *does not* apply to Dedicated Delivery Service (DDS) shipments. They will continue to be delivered in lift-gate trucks.

FEATURES

The lift truck has a 750-pound capacity, and it lifts to a height of 54 inches. It has a large, hydraulically controlled lift platform that is operated by a foot pedal. The lift truck can also unload other heavy items such as oil drums and engine blocks.

STEEL FRAME PEDALIFT



ORDERING INFORMATION

To purchase this lift truck, contact one of these sources:

- Grainger: For the nearest branch office, call 800-473-3473. Grainger's stock number for the lift truck is 4W472.
- McMaster-Carr Supply Company: Call 630-833-0300. McMaster-Carr's model number for the lift truck is 2347T16.
- After April 1, 1998, the lift truck can also be ordered through the Honda Tool and Equipment Program. Call 1-888-4-AHM-TLS or 1-888-424-6857.

Index # 049682
