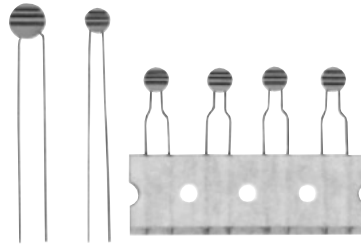


Disc Type NTC Thermistors

Type: **ERTD**



The "Type ERTD" are disc type negative temperature coefficient thermistors. Resistances are available from 8 Ω to 150 kΩ and B Values are from 3000 K to 5000 K. The thermistors are designed for temperature detections and temperature compensations etc., featuring excellent electrical and thermal stability.

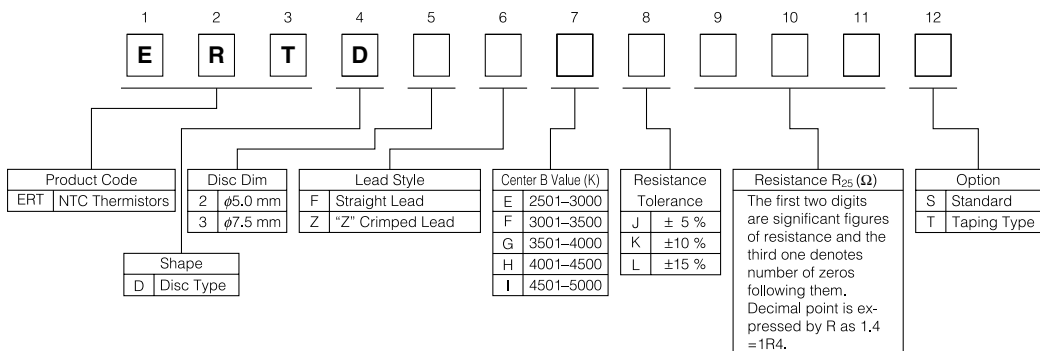
■ Features

- Wide selection of temperature coefficient
- Excellent electrical and thermal stability

■ Recommended Applications

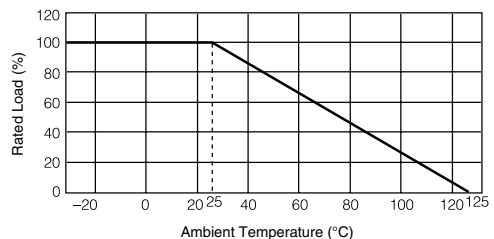
- Temperature detection
- Temperature compensation for measuring instruments
- Temperature compensation for deflection coil in TV

■ Explanation of Part Numbers



■ Derating Curve for the NTC Thermistor

For the NTC Thermistor operated in ambient temperatures above 25 °C, power rating should be derated in accordance with the figure on the right.



■ Ratings and Characteristics

Part No.	Zero-Power Resistance at 25 °C(Ω)	B Value** (K)	Maximum Permissible Power(W)	Heat Dissipation Constant (mW/°C)	Thermal Time Constant (s)	Resistance Ratio R ₂₅ /R ₅₀	Table A/B Curve No.
ERTD2FE□*200S	20	3000				2.18	—
ERTD2FF□*400S	40	3200				2.30	—
ERTD2FG□*750S	75	3700				2.62	1
ERTD2FF□*101S	100	3500				2.48	—
ERTD2FG□*101S	100	3700				2.62	2
ERTD2FG□*171S	170	3700				2.62	3
ERTD2FF□*251S	250	3500				2.48	—
ERTD2FG□*251S	250	3900				2.76	4
ERTD2FG□*301S	300	3900				2.76	—
ERTD2FF□*351S	350	3500				2.48	5
ERTD2FG□*601S	600	4000				2.83	6
ERTD2FG□*801S	800	3900	0.4	4.5	20	2.76	7
ERTD2FG□*102S	1000	3700				2.61	—
ERTD2FG□*142S	1400	3900				2.76	—
ERTD2FG□*202S	2000	4000				2.83	8
ERTD2FG□*332S	3300	4000				2.83	9
ERTD2FH□*462S	4600	4100				2.90	—
ERTD2FH□*802S	8000	4100				2.90	10
ERTD2FH□*103S	10000	4100				2.90	—
ERTD2FH□*153S	15000	4200				2.98	11
ERTD2FH□*333S	33000	4500				3.22	12
ERTD2FH□*503S	50000	4500				3.22	13
ERTD2FI□*154S	150000	4800				3.48	14
ERTD3FE□*8R0S	8	3000				2.18	15
ERTD3FF□*130S	13	3200				2.30	16
ERTD3FF□*160S	16	3200				2.30	—
ERTD3FF□*200S	20	3200				2.30	—
ERTD3FF□*300S	30	3200				2.30	—
ERTD3FF□*400S	40	3200				2.30	—
ERTD3FG□*750S	75	3700	0.6	7.0	27	2.62	—
ERTD3FG□*800S	80	3700				2.62	—
ERTD3FG□*131S	130	3700				2.62	—
ERTD3FG□*501S	500	4000				2.83	—
ERTD3FH□*402S	4000	4100				2.90	—
ERTD3FH□*203S	20000	4500				3.22	—
ERTD3FI□*803S	80000	5000				3.70	17

*Resistance Tolerance Code

J	K	L
±5 %	±10 %	±15 %

● Operating Temperature Range: -30 to +125 °C

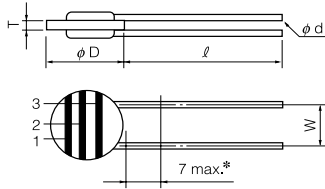
**Tolerance of "B value": ±10 %

$$B = \frac{\ln(R_{25}/R_{50})}{1/298.15 - 1/323.15}$$

R₂₅=Resistance at 25.0 °C
R₅₀=Resistance at 50.0 °C

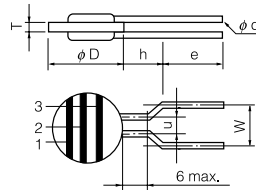
■ Dimensions in mm (not to scale)

Straight Lead Type F Type



*Coating extension on leads

Crimped Lead Type Z Type



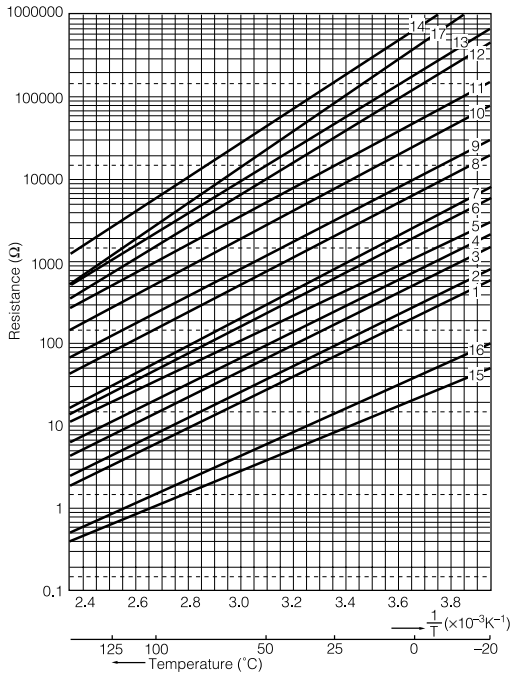
F Type

	ϕD	T	ℓ	W	ϕd
D2	5.0 ± 0.5	1.3 ± 0.5	30.0 min.	2.5 ± 1.0	0.4
D3	7.5 ± 0.5	1.4 ± 0.5	30.0 min.	5.0 ± 1.0	0.5

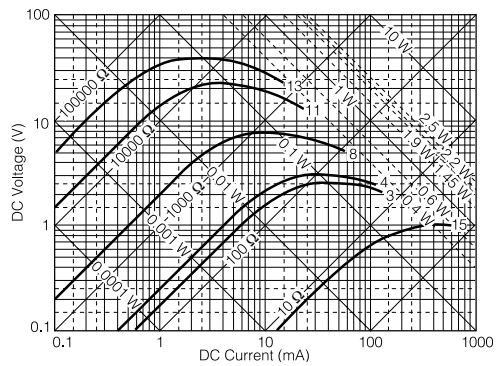
Z Type

	ϕD	T	u	e	h	W	ϕd
D2	5.0 ± 0.5	1.3 ± 0.5	3.0 max. (nom.2.5)	4.5 ± 1.0	6.0 max. (nom.5.0)	5.0 ± 1.0	0.5
D3	7.0 ± 0.5						

■ Resistance vs. Temperature (Table A)



■ Voltage vs. Current (Table B)

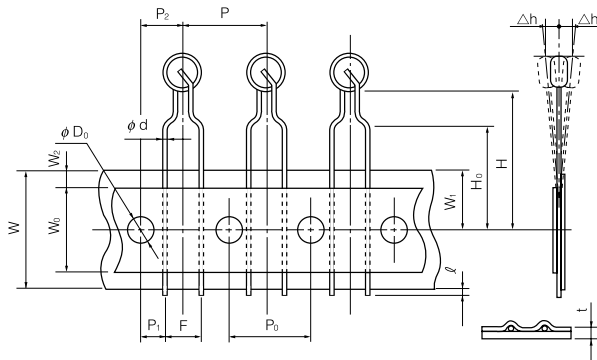


■ Resistance Color Code

Color	Code	1(1st Digit)	2(2nd Digit)	3(Multiplier)
Black		0	0	10^0
Brown		1	1	10^1
Red		2	2	10^2
Orange		3	3	10^3
Yellow		4	4	10^4
Green		5	5	10^5
Blue		6	6	10^6
Purple		7	7	10^7
Gray		8	8	10^8
White		9	9	10^9
Gold		—	—	10^{-1}
Silver		—	—	10^{-2}

■ Taping Dimensions in mm (not to scale)

Taping Type



P	12.7 ± 1.0
P ₀	12.7 ± 0.3
P ₁	3.85 ± 0.70
P ₂	6.35 ± 1.30
φd	0.50 ± 0.05
F	5.0 ± 1.0
Δh	0 ± 5.0
W	$18.0^{+1.0}_{-0.5}$
W ₀	12.5 min.
W ₁	$9.00^{+0.75}_{-0.50}$
W ₂	3.0 max
H	21.0 ± 2.0
H ₀	16.0 ± 0.5
l	2.0 max.
φD ₀	4.0 ± 0.3
t	0.5 ± 0.2

Disc Type NTC Thermistors**Handling Precautions****⚠ Safety Precautions**

The Disc Type NTC Thermistors (hereafter referred to as "The NTC Thermistors") may fail through burnout, flaming or glowing in the worst case, when subjected to severe conditions of electrical, environmental and/or mechanical stresses.

The following "⚠ Safety Precautions" and "Application Notes" should be studied carefully by you. If you have a question about the Handling Precautions, please contact our engineering section or factory.

1. ⚠ Safety Precautions**1.1 Operating Power**

The NTC Thermistors, should not be operated beyond the specified Maximum Permissible Power in the Catalog or the individual Specifications, otherwise, burnout and damages due to thermal run away may result. (if operated in ambient temperatures above 25 °C, power rating should be derated in accordance with the derating curve.)

1.2 Operating Temperature Range

The NTC Thermistors should not be operated beyond the specified Operating Temperature Range in the Catalog or the individual Specifications.

(Do not touch the heated part of the NTC Thermistors by hand at large power consumption.)

1.3 Plastic Molding and Potting

In the case of plastic molding or potting, the NTC Thermistors may be damaged or deteriorate due to extremely large mechanical stresses such as expanding and shrinking forces caused by the heat treatment of the plastics applied, depending on curing conditions and type of plastics.

1.4 Environmental Conditions

The NTC Thermistors should not be operated and/or stored under following environmental conditions;

- a) Exposed directly to water or drops of water.
- b) Exposed directly to sunlight.
- c) Conditions of dew formation.
- d) Exposed directly to oil, gasoline or organic solvent and/or atmospheres of them.
- e) Conditions of deoxidized or corrosive atmospheres such as chlorine, hydrogen sulfide, sulphur oxide and cracked gas from vinyl chloride etc.
- f) Severe conditions of extreme vibration or shock.

1.5 Mounting

Don't touch other parts to the thermistor, because the outer coating may not provide insulation after mounting the thermistor.

1.6 Fail-Safe Design for Equipment

In applications using Thermistors, equipment should be protected against deterioration and failure of the Thermistors.

2. Application Notes**2.1 Soldering Flux**

Rosin-based and non-activated type soldering flux is recommended.

2.2 Post Soldering Cleaning

In the case of solvent cleaning, outer coating material of the NTC Thermistors may melt in the solvent, depending on the cleaning condition and type of cleaning solvent.

2.3 Abnormal Mechanical Stresses

The NTC Thermistors may be damaged or deteriorate when dropped or exposed to a large impact. Excessive shock and impact shall not be applied.

2.4 Soldering

- (1) When soldering thermistors, the soldering time should be as short as possible to minimize the exposure time of the element to the melting point of solder.
Take into account the solder-heat resistance of the product before use.
- (2) In soldering the device, the body and outer coating section should not be touched by molten solder and/or heated iron tip.

2.5 Long Term Storage

- (1) The NTC Thermistors should not be stored under severe conditions of high temperature and high humidity.
- (2) The NTC Thermistors should not be stored under conditions of corrosive atmospheres such as hydrogen sulfide, sulfur oxide and chlorine and ammonia etc.
- (3) The NTC Thermistors should not be exposed to direct sunlight.
- (4) The NTC Thermistors should not be stored under conditions of dew formation.
- (5) Store them indoors under 40 °C max. and 75 %RH max.

Use them within one year and check the solderability before use.